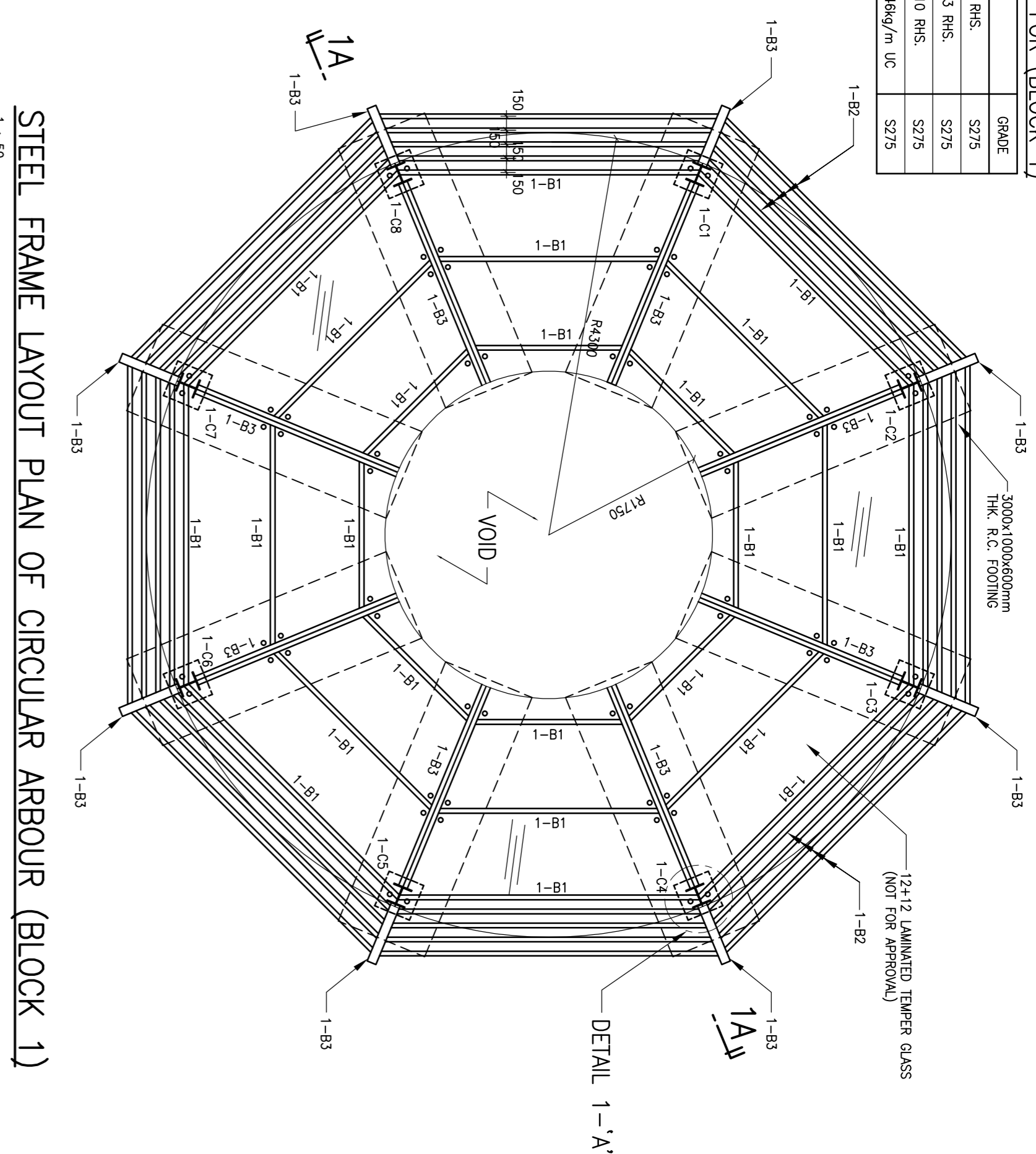
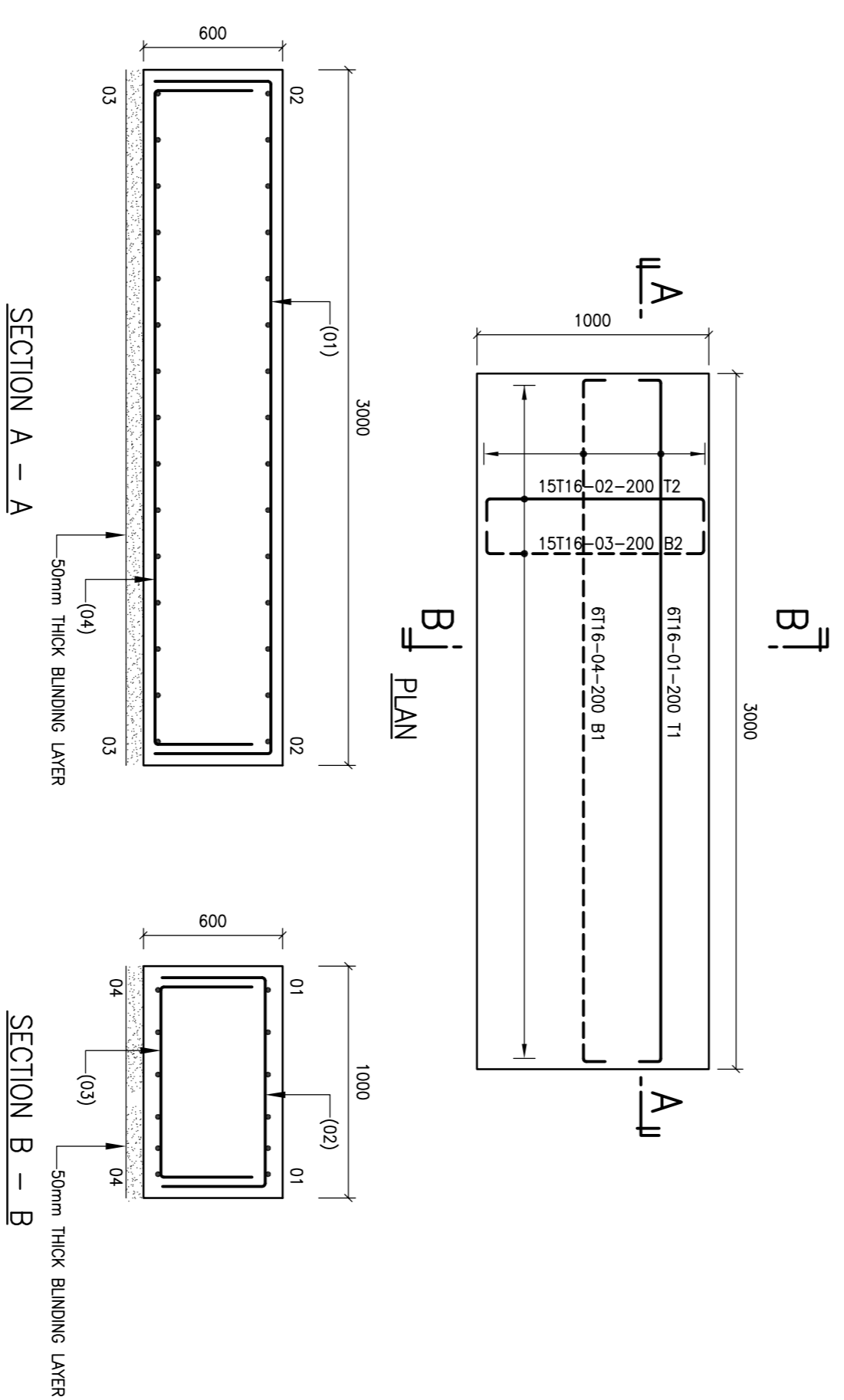


MEMBER SCHEDULE FOR (BLOCK 1)

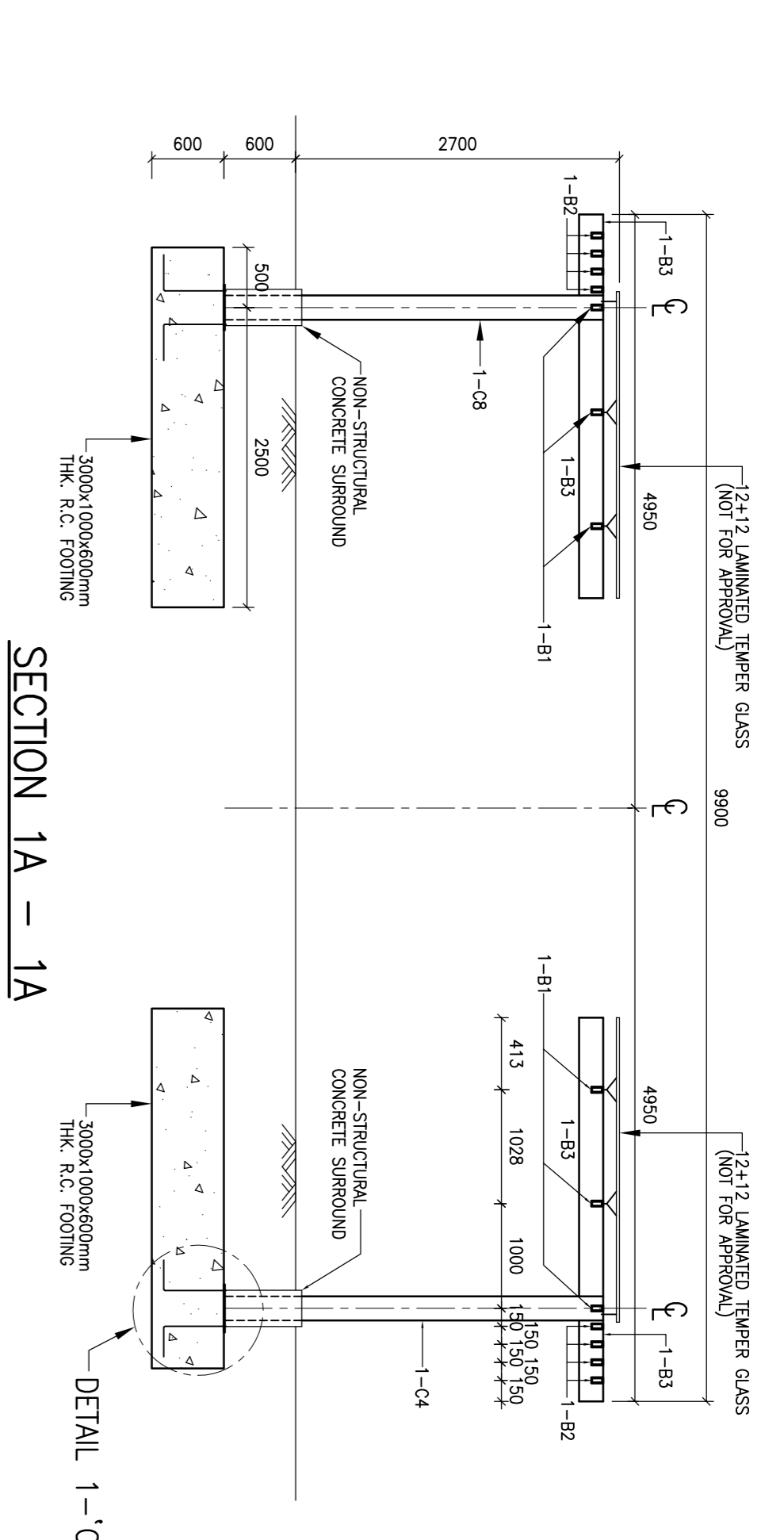
MARK	SECTION	GRADE
1-B1	100x50x8 RHS	S275
1-B2	100x50x6.3 RHS	S275
1-B3	200x100x10 RHS	S275
1-C1 ~ 1-C8	203x203x8kg/m UC	S275



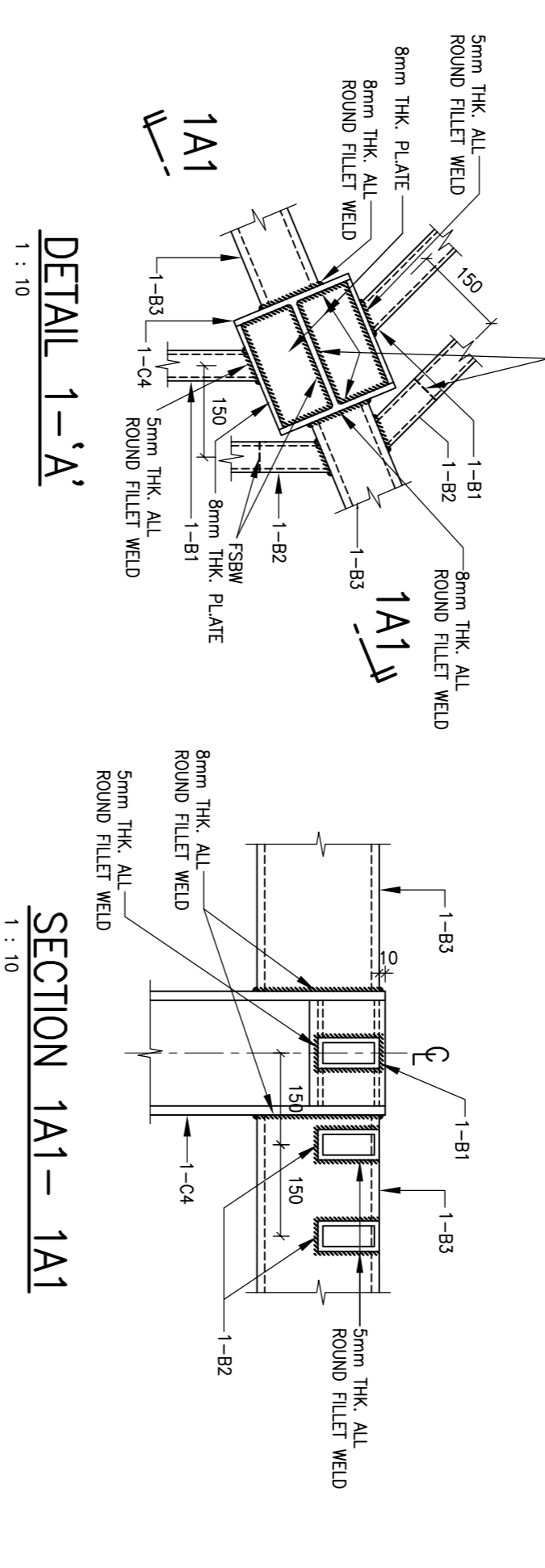
STEEL FRAME LAYOUT PLAN OF CIRCULAR ARBOUR (BLOCK 1)
1 : 50



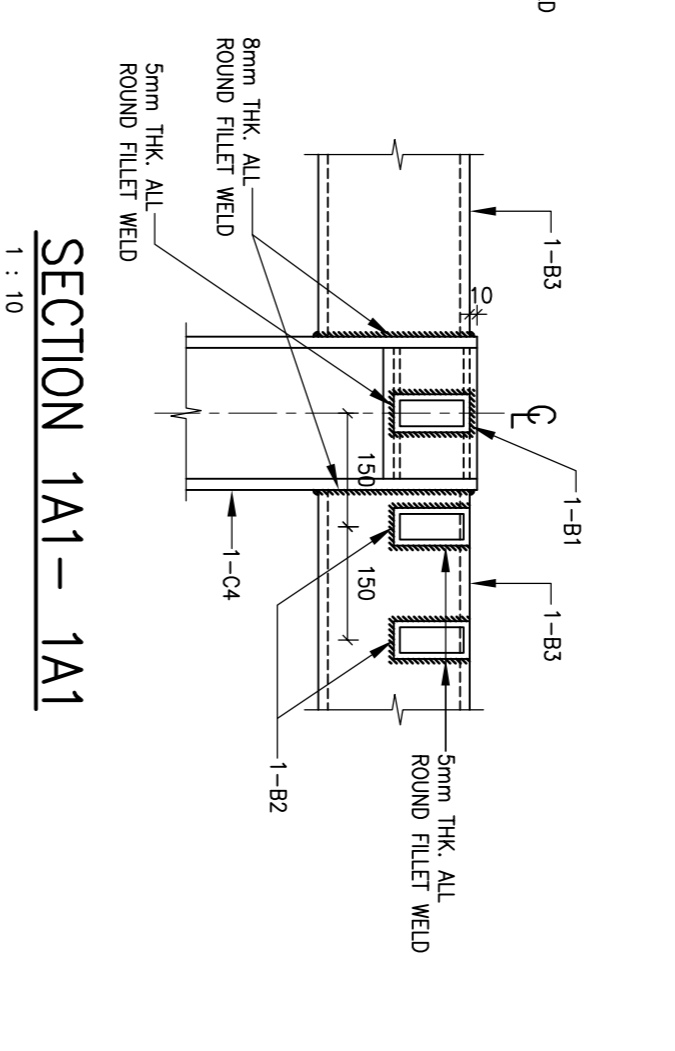
PROPOSED 3000x1000x600mm THICK R.C. FOOTING (BLOCK 1)
1 : 25



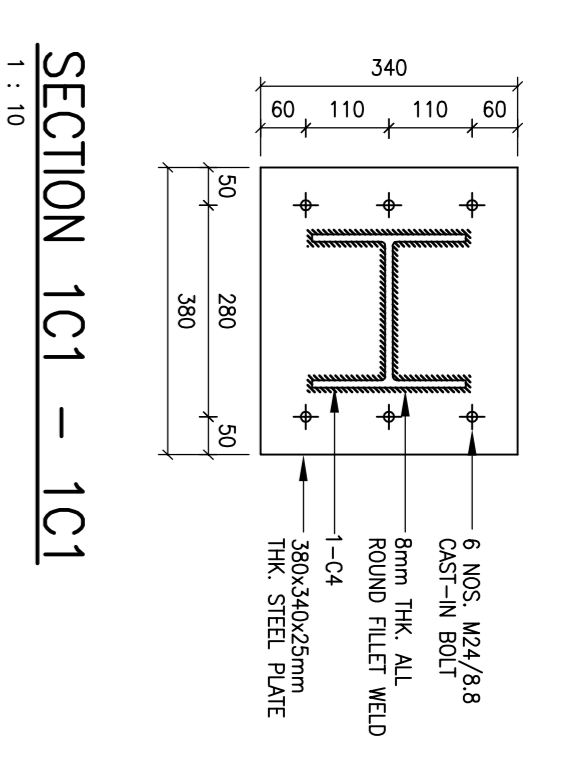
SECTION 1A - 1A
1 : 50



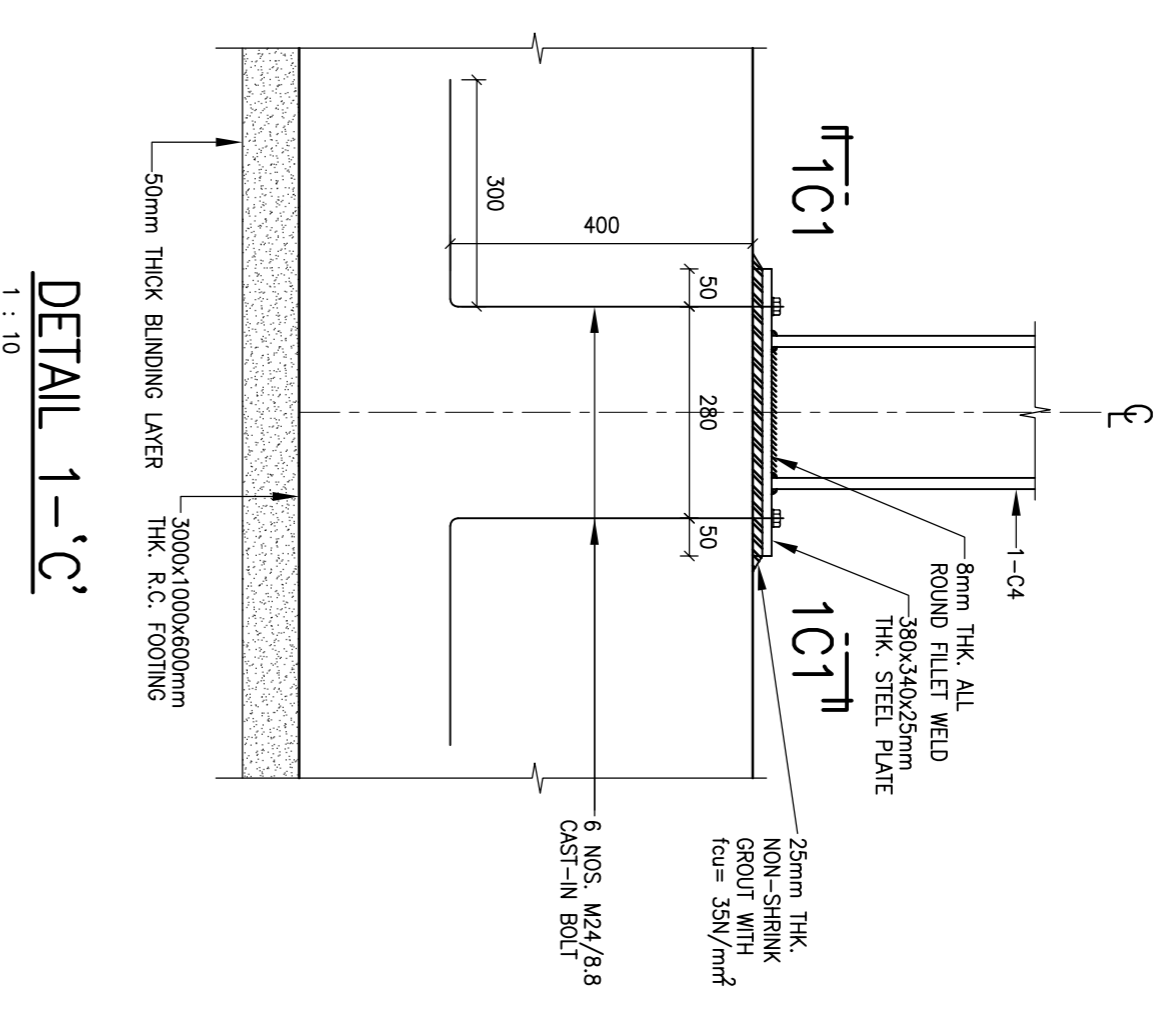
DETAIL 1-'A'
1 : 10



SECTION 1A1 - 1A1
1 : 10



SECTION 1C1 - 1C1
1 : 10



DETAIL 1-'C'
1 : 10

No.	Date	Description	Initial
05/01/12		TENDER DRAWING	

Architect
ARTHUR C. S. KWOK
ARCHITECTS & ASSOCIATES LIMITED
郭定偉建築師有限公司
1401 ARBOL CENTRE ONE KOWLOON

Engineer
TEAM 73 HK Limited
THOMAS ANDERSON & PARTNERS (H.K.) LIMITED
CONSULTING ENGINEERS, BUILDING SERVICES

Engineer
CANWEST CONSULTANTS LIMITED
CIVIL & STRUCTURAL ENGINEERS
建德工程顧問有限公司
15/F, 633 KING'S ROAD, NORTH POINT, HONG KONG
TEL: (852) 2892 1126
FAX: (852) 2881 6385
E-MAIL: canwest@canwest.com.hk

Name	Date
Designed	08/2008
Drawn	08/2008
Checked	08/2008

Approved
Chief structural engineer
Senior structural engineer
Project engineer

Contract No. 9AS022
File No.
Project No. 420 RO

Contract LOCAL OPEN SPACE AT CHUNG YEE STREET, KOWLOON CITY DISTRICT

Drawing Title
CIRCULAR ARBOUR (BLOCK 1)
STEEL FRAME LAYOUT PLAN, DETAILS,
SECTION AND FOOTING R.C. DETAILS

Drawing No. SE/2263/NTSW001
Scale AS SHOWN

