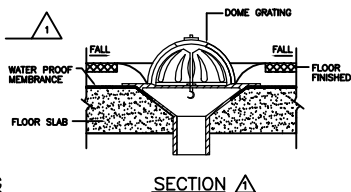
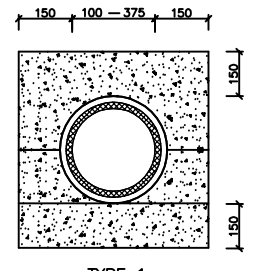


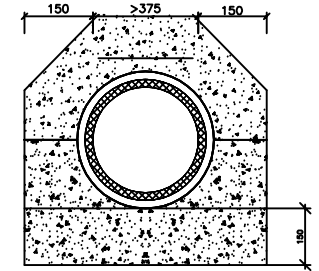
PLAN-DOME GRATING



SECTION 1

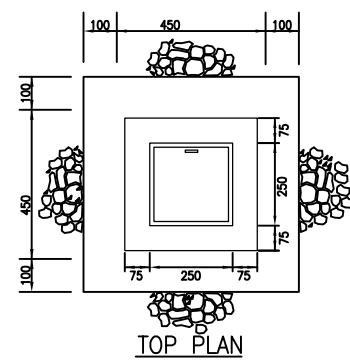


TYPE 1

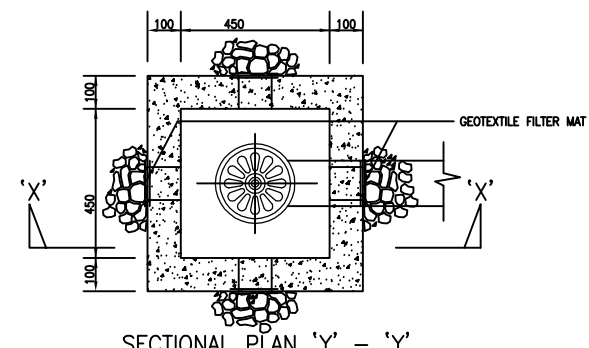


TYPE 2

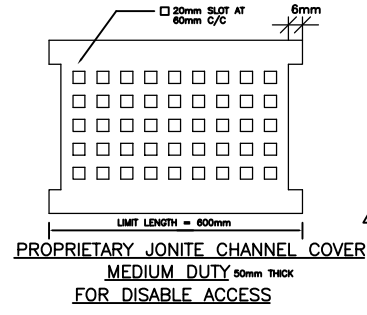
HAUNCH AND SURROUND DETAILS



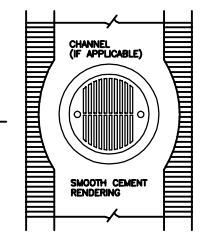
TOP PLAN



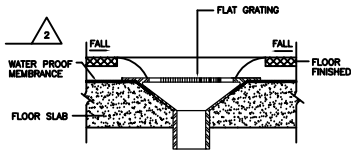
SECTIONAL PLAN 'Y-Y'



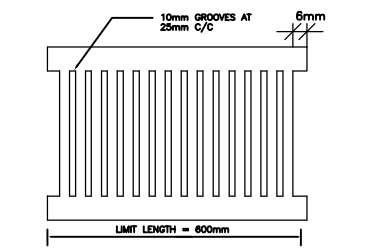
PROPRIETARY JONITE CHANNEL COVER MEDIUM DUTY 60mm THICK FOR DISABLE ACCESS



PLAN-FLAT GRATING



SECTION 2

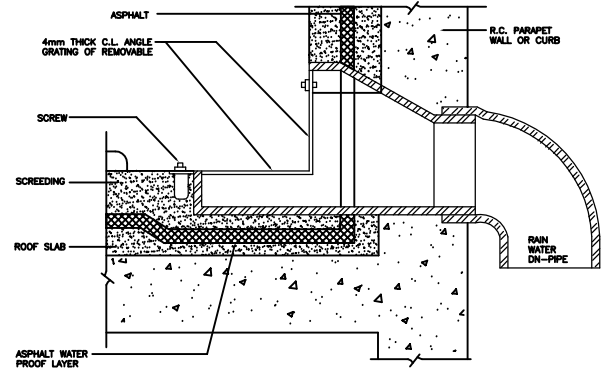


PROPRIETARY JONITE CHANNEL COVER MEDIUM DUTY 25mm THICK FOR WALKWAY

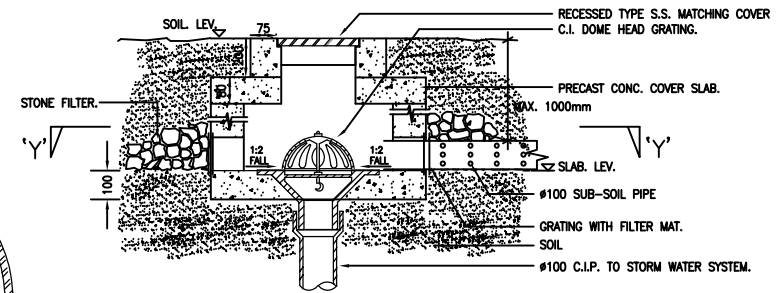
- NOTES:
 RAINWATER OUTLETS SHALL BE COMPLETE WITH:
 1) a) DOME GRATING - INSIDE 'U' CHANNEL (PAD CONTRACTOR SHALL CHECK THE DEPTH OF U-CHANNEL IS SUFFICIENT BEFORE ORDER THE MATERIAL)
 OR
 b) FLAT GRATING (MEDIUM DUTY) - WALKWAY (ON SUSPENDED STRUCTURAL SLAB)
 AND OF:
 2) - CAST IRON BODY C/W MEMBRANE CLAMP
 - STAINLESS STEEL FLAT GRATING FOR TOILET, BABY CARE ROOM & EXTERNAL AREA
 - CAST IRON FLAT GRATING FOR PLANT ROOM

| DIAMETER OF RAINWATER PIPE | DIAMETER OF GRATING |
|----------------------------|---------------------|
| 65 | 100 |
| 80 | 150 |
| 100 | 225 |
| 150 | 300 |

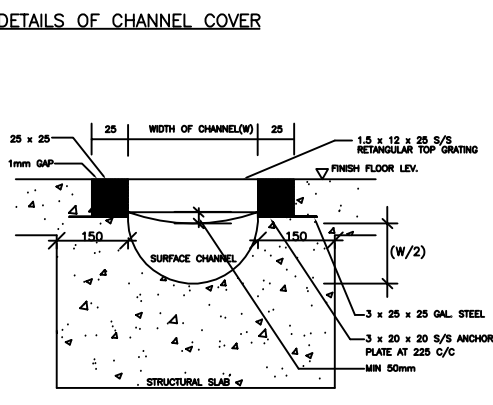
FLAT & DOME GRATING FOR RAINWATER OUTLETS



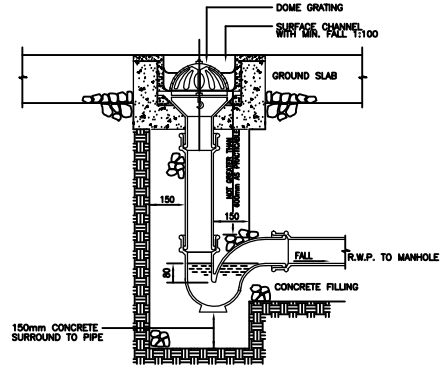
SECTION 'F'-F'



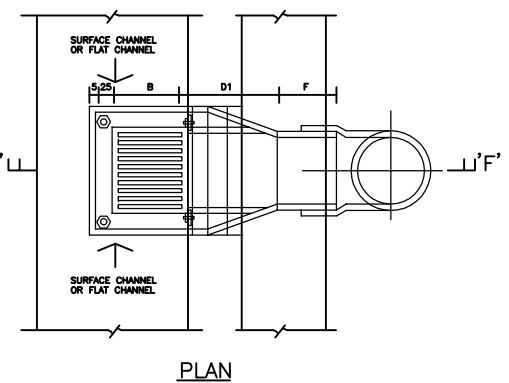
SECTION 'X-X' PLANTER DRAIN DETAIL (ON SOIL)



SECTION DETAIL CAST IRON GRATING



TRAPPED GULLY WITH CAST IRON GRATING INSIDE RAIN WATER SURFACE CHANNEL

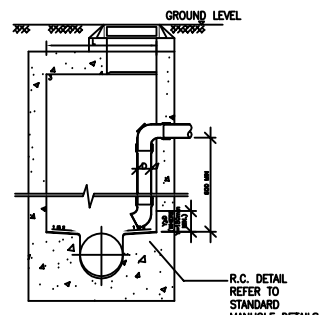


PLAN

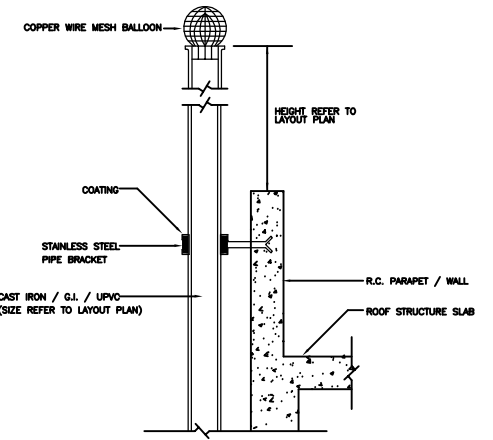
TABLE OF ANGLE GRATING SIZE & OTHERS

| A | B | C | D | D1 | E | F | REMARKS |
|-----|-----|-----|-----|-------|-----|-----|-------------------------------|
| 67 | 88 | 80 | 65 | 75 | 30 | 50 | CONNECTED TO SLIPFITTING |
| 127 | 150 | 100 | 100 | 110.4 | 127 | 127 | CONNECTED TO PVC PIPE FITTING |
| 282 | 150 | 150 | 150 | 166.5 | 40 | 103 | |

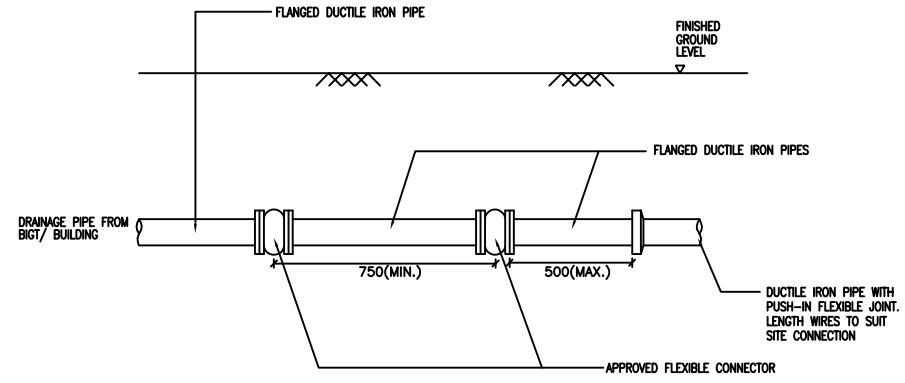
ANGLE GRATING RAINWATER OUTLET



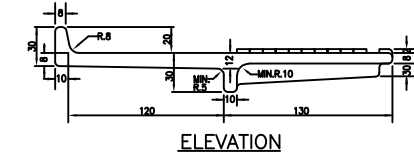
SECTIONAL DETAIL OF DROP PIPE



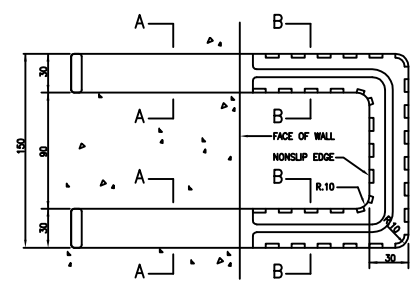
TYPICAL DETAIL FOR WALL-MOUNTED VENT PIPE



DETAIL OF FLEXIBLE JOINT



ELEVATION



PLAN STEP IRON

FOR ALL PLANTER KERB TO BE 100 H. FROM FINISH LEVEL EXCEPT OTHERWISE STATED

FOR ALL KERBS OF FOOTPATHS ADJACENT TO PLANTERS (EXCEPT TREE PITS), THE PLANTER SOIL LEVEL ARE KEPT AT A MINIMUM OF 50mm LOWER THAN THE KERB LEVEL.

| No. | Date | Description | Initial |
|-------|------|------------------|---------|
| 01/12 | | ISSUE FOR TENDER | WT |

Revision

Consultant Project No. 080101

ARTHUR C. S. KWOK ARCHITECTS & ASSOCIATES LIMITED
 即定興建築師有限公司
 1401 ARGYLE CENTRE ONE KOWLOON

TEAM 73 HK Limited
 urban design urban planning landscape architecture
 7/F, China Hong Kong Tower 8 Harmony Road, Sheung Wan, Hong Kong
 Tel: 2852-0713 Fax: 2852-0829 Email: design@team73.com

CANWEST CONSULTANTS LIMITED
 CIVIL & STRUCTURAL ENGINEERS
 加拿大工程師有限公司
 15/F, 433 HONG KONG ROAD, NORTH POINT, HONG KONG
 TEL: (852) 2882 1128
 FAX: (852) 2881 8386
 E-MAIL: canwest@canwest.hk.com.hk

THOMAS ANDERSON & PARTNERS (H.K.) LIMITED
 CONSULTING ENGINEERS, BUILDING SERVICES
 湯瑪士(香港)有限公司

| Name | Signed | Date |
|----------|--------|------|
| Designed | | |
| Drawn | | |
| Checked | | |
| Approved | | |

Contract No.

File No.

Project No. 420 RO

Consultant Agreement No. 9AS022

Contract LOCAL OPEN SPACE AT CHUNG YEE STREET, KOWLOON CITY DISTRICT

Drawing Title STANDARD DETAILS FOR DRAINAGE SYSTEM (I)

Drawing No. BS/2263/SD301 Scale N.T.S.

Approved Signed (Chief) 04 JUL 2008 (Date)

