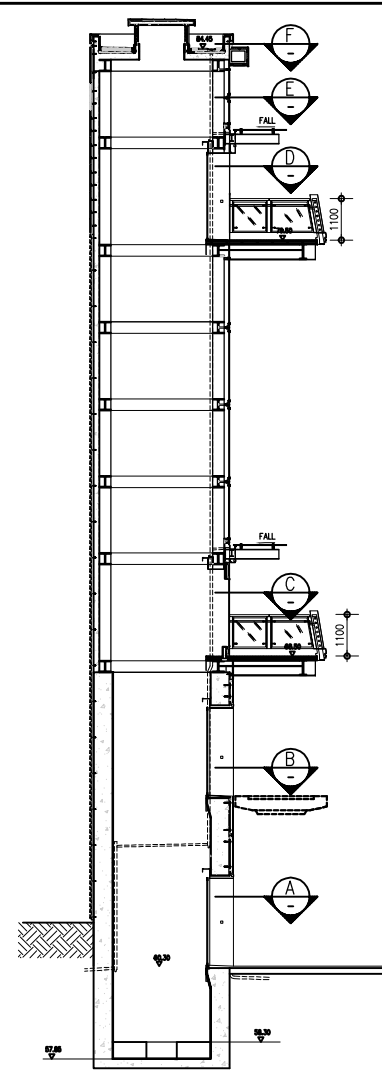
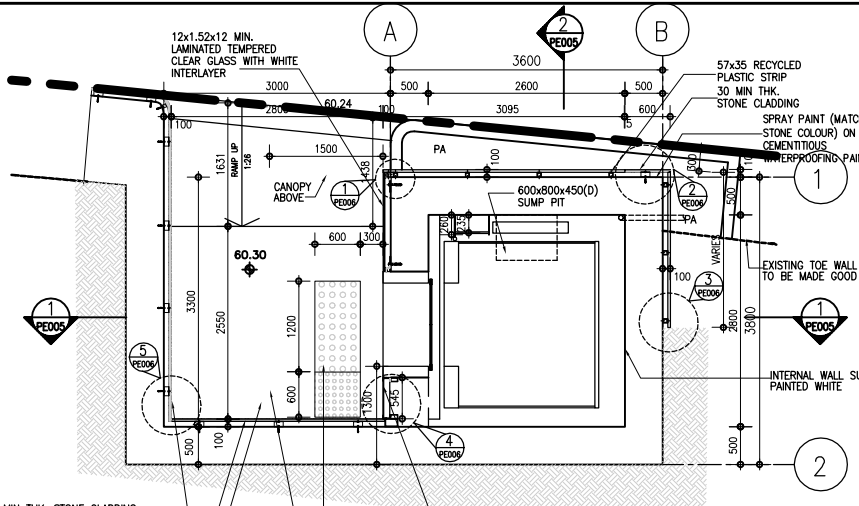


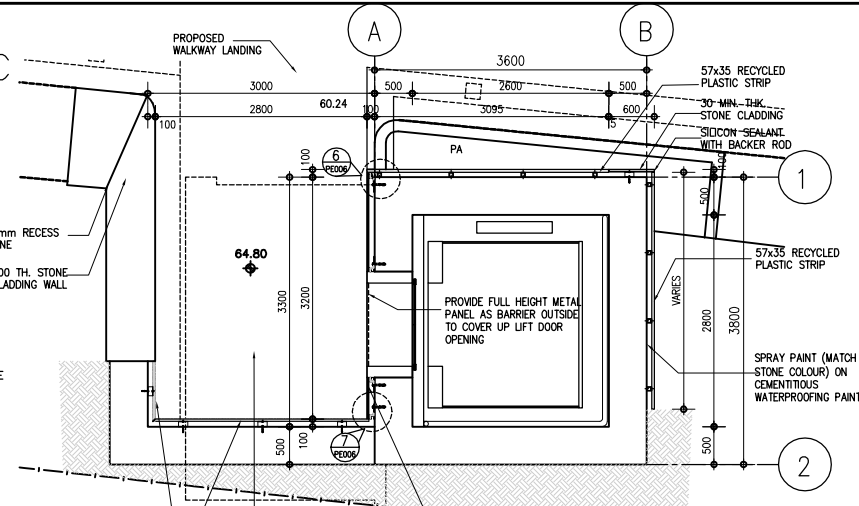
DIAGRAMMATIC ELEVATION  
LIFT DOOR OPENING  
A1 = 1 : 100  
A3 = 1 : 200



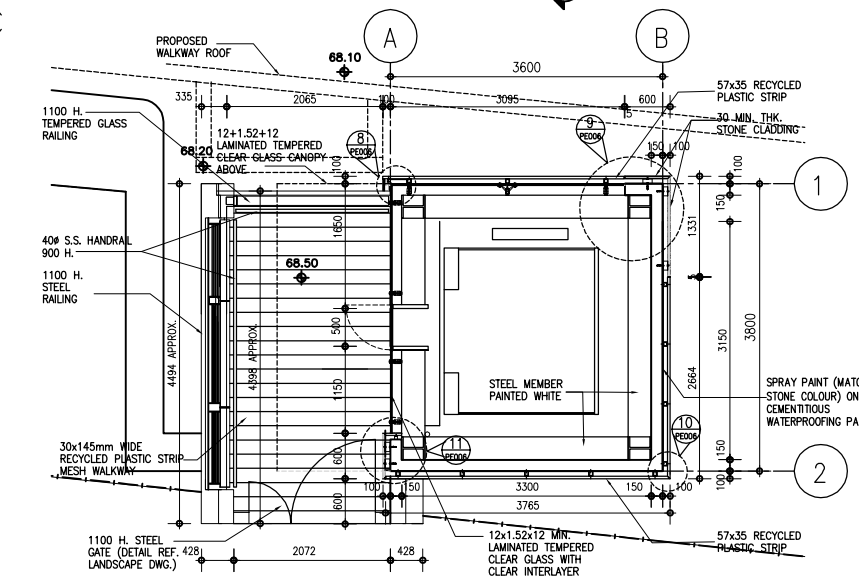
KEY DIAGRAM  
A1 = 1 : 100  
A3 = 1 : 200



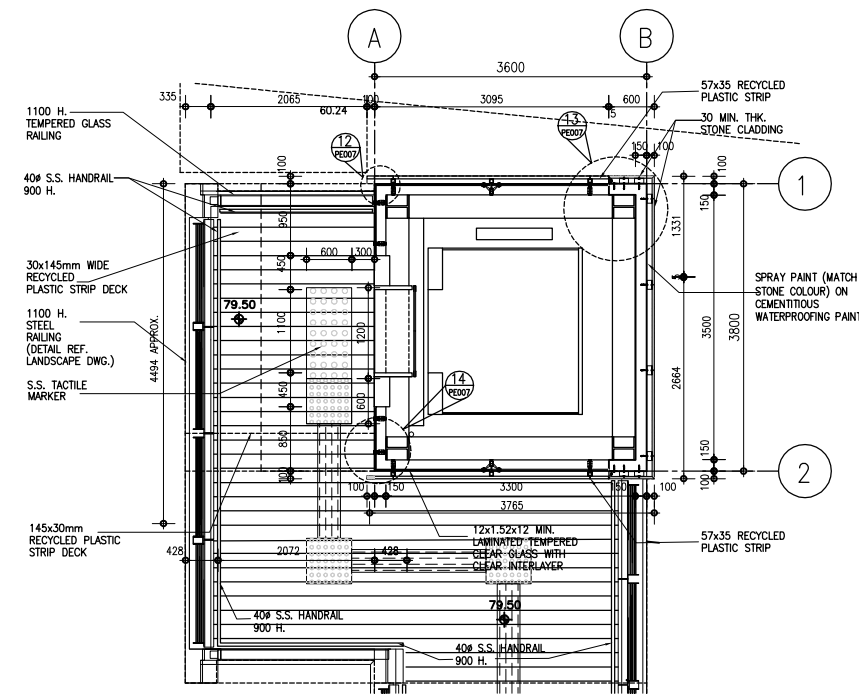
PLAN A - A



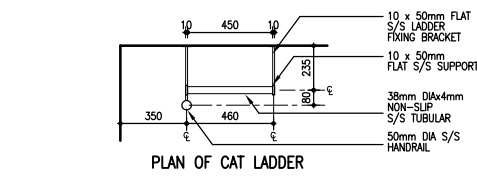
PLAN B - B



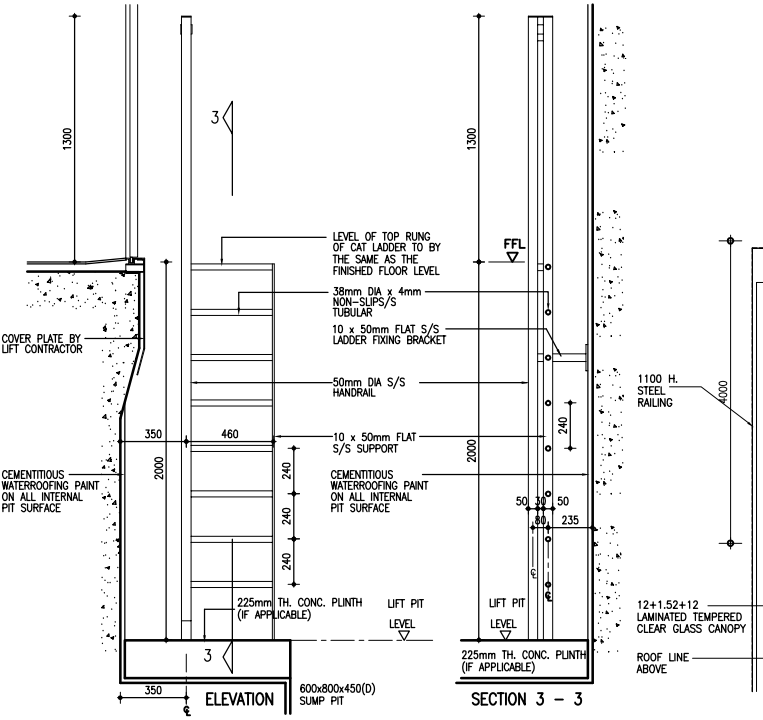
PLAN C - C



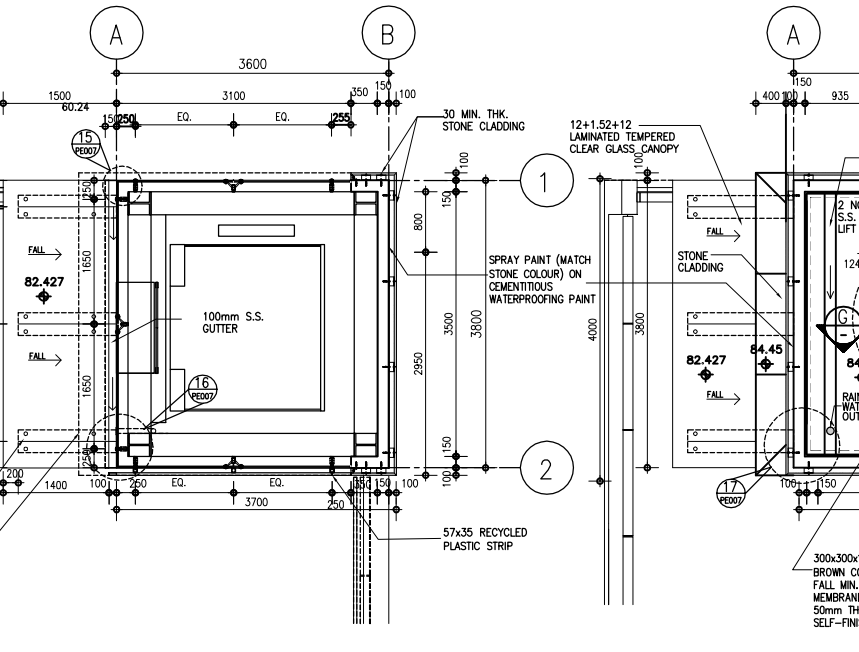
PLAN D - D



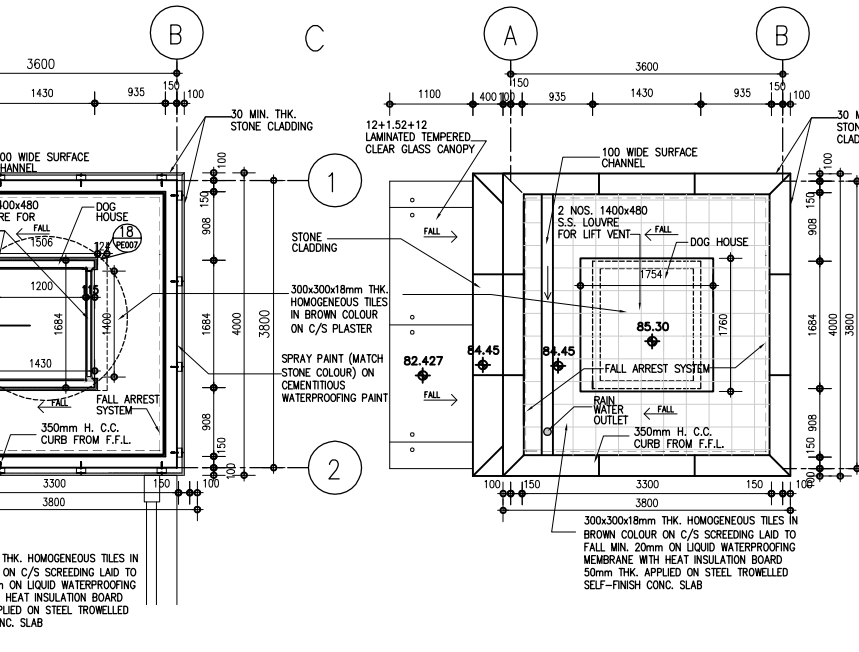
PLAN OF CAT LADDER



SECTION 3 - 3



PLAN E - E



PLAN F - F

- Notes :
- CONTRACTOR SHALL SUBMIT SHOP DRAWINGS AND CALCULATIONS FOR ALL GLASS WALL AND CANOPY, ALL RECYCLED PLASTIC STRIP SCREEN, ALL STONE AND GLASS CLADDING, AND FALL ARREST SYSTEM FOR ARCHITECT'S APPROVAL.
  - REFER TO STRUCTURAL DRAWINGS FOR ALL STEEL STRUCTURAL MEMBERS.

No.	Date	Description	Initial

Revision  
Consultant Project No. 080101

**ARTHUR C. S. KWOK**  
ARCHITECTS & ASSOCIATES LIMITED  
郭克昇建築師有限公司  
1401 ARGYLE CENTRE ONE KOWLOON

**TEAM 73 HK Limited**  
urban design urban planning landscape architecture  
4/F Cheong Hong Kong Tower & Harmony Road, Hong Kong  
Tel: 2885-8713 Fax: 2885-4828 Email: design@team73.com

**CANWEST CONSULTANTS LIMITED**  
CIVIL & STRUCTURAL ENGINEERS  
建築工程師有限公司  
18/F, 483 HONG KONG ROAD, NORTH POINT, HONG KONG  
Tel: (852) 2881 1128 Fax: (852) 2881 4386  
E-MAIL: canwest@canwest.com.hk

**THOMAS ANDERSON & PARTNERS (H.K.) LIMITED**  
CONSULTING ENGINEERS, BUILDING SERVICES  
湯瑪士(香港)有限公司

	Name	Signed	Date
Designed	PT/EL	<i>[Signature]</i>	DEC 2011
Drawn	WS	<i>[Signature]</i>	DEC 2011
Checked	TH	<i>[Signature]</i>	DEC 2011
Approved	AL	<i>[Signature]</i>	DEC 2011

Contract No. SS T320  
File No.

Project No. 420 R0  
Consultant Agreement No. 9AS022

Contract LOCAL OPEN SPACE AT CHUNG YEE STREET, KOWLOON CITY DISTRICT

Drawing Title LIFT TOWER PLANS & LIFT PIT DETAILS

Drawing No. AB/2263/PE003  
Scale A1 = 1 : 50 A3 = 1 : 100

**ARCHITECTURAL SERVICES DEPARTMENT**