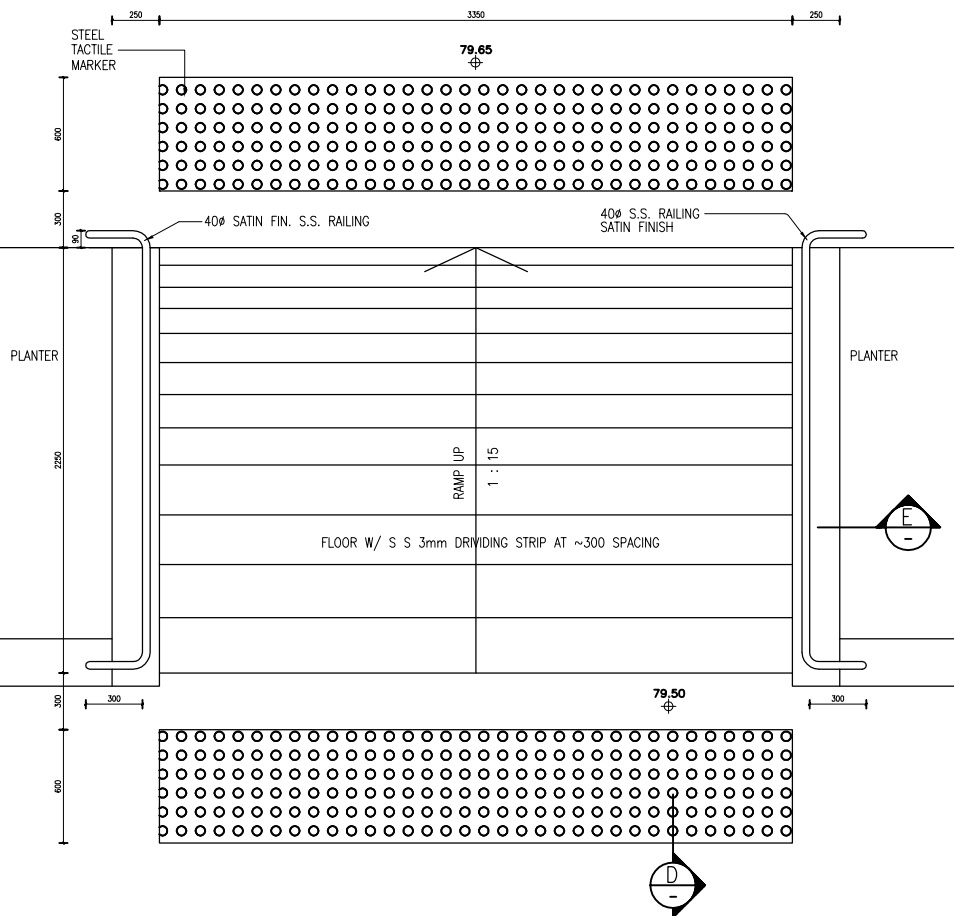


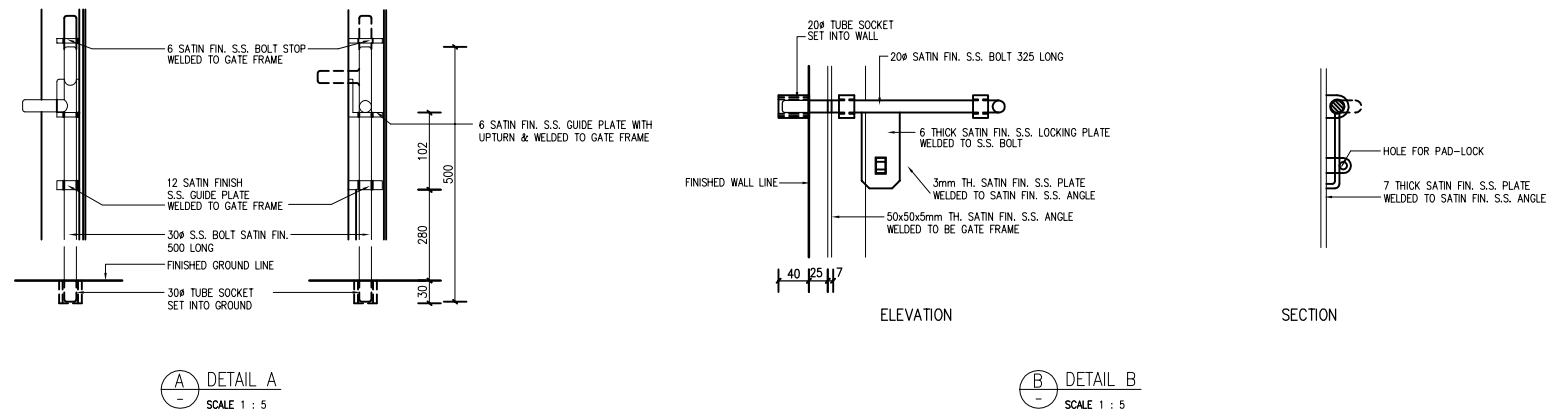
DETAIL OF S.S. GATE  
1: 20

NOTES:  
SATIN FINISH S.S. GATE PATTERN IS INDICATIVE ONLY. CONTRACTOR HAS TO SUBMIT SHOP DRAWINGS AND OPTIONS FROM PROPRIETARY SUPPLIERS FOR ARCHITECT'S APPROVAL.



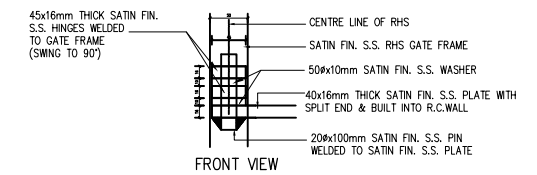
PLAN  
SCALE 1 : 20

DISABLE HANDRAIL DETAILS

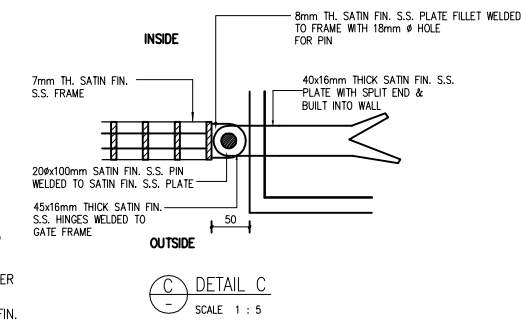


DETAIL A  
SCALE 1 : 5

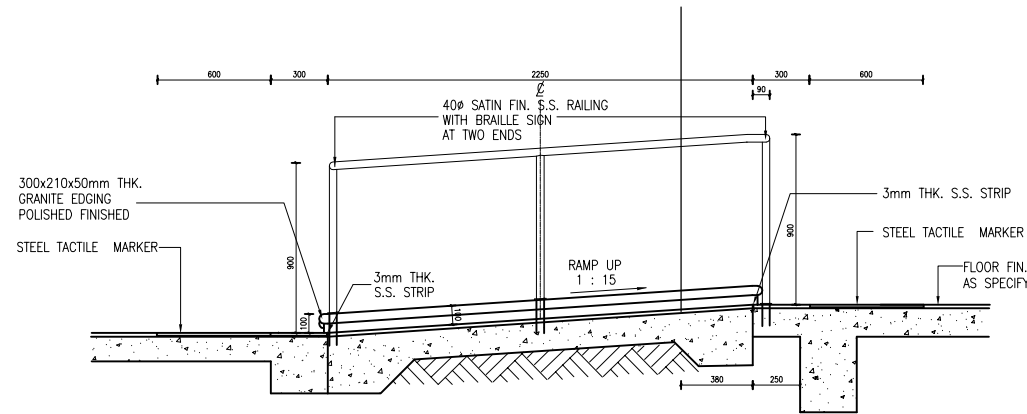
DETAIL B  
SCALE 1 : 5



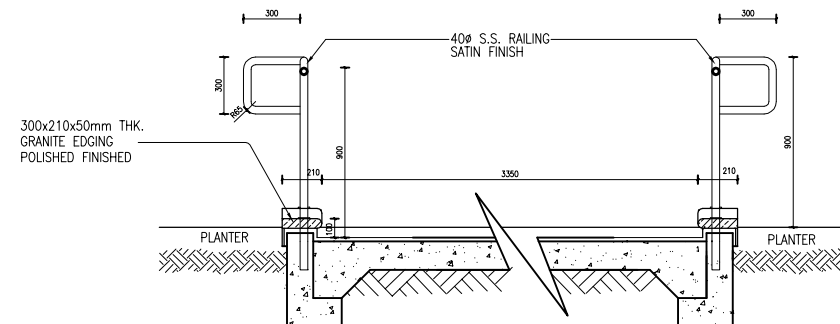
FRONT VIEW



DETAIL C  
SCALE 1 : 5



SECTION D  
SCALE 1 : 20



SECTION E  
SCALE 1 : 20

Notes :

| No.                    | Date | Description | Initial |
|------------------------|------|-------------|---------|
| Revision               |      |             |         |
| Consultant Project No. |      |             | 080101  |

**ARTHUR C. S. KWOK**  
ARCHITECTS & ASSOCIATES LIMITED  
郭克舜建築師有限公司  
1401 ARGYLE CENTRE ONE KOWLOON

**TEAM 73 HK Limited**  
urban design urban planning landscape architecture  
4/F Cheong Hong Kong Tower 8 Hennessy Road, Hong Kong  
Tel: 2885-8713 Fax: 2885-4828 Email: aol@team73.com

**CANWEST CONSULTANTS LIMITED**  
CIVIL & STRUCTURAL ENGINEERS  
建築工程師有限公司  
18/F, 483 HONG KONG ROAD, NORTH POINT, HONG KONG  
TEL: (852) 2885 1128  
FAX: (852) 2881 4386  
www.canwest.com.hk

**THOMAS ANDERSON & PARTNERS (H.K.) LIMITED**  
CONSULTING ENGINEERS, BUILDING SERVICES  
湯瑪士(香港)有限公司

|          | Name    | Signed         | Date        |
|----------|---------|----------------|-------------|
| Designed | PT/EL   | <i>PT/EL</i>   | NDEC 2011/6 |
| Drawn    | WSY KEI | <i>WSY KEI</i> | NDEC 2011/6 |
| Checked  | TH      | <i>TH</i>      | NDEC 2011/6 |
| Approved | AL      | <i>AL</i>      | NDEC 2011/6 |

Contract No. SS T320

File No.

Project No. 420 RO

Consultant Agreement No. 9AS022

Contract LOCAL OPEN SPACE AT CHUNG YEE STREET, KOWLOON CITY DISTRICT

Drawing Title METAL GATE & HANDRAIL DETAILS

Drawing No. AB/2263/MS002 Scale A1=1:20 & 1:5 A3=1:40 & 1:10

(Date)

**ARCHITECTURAL SERVICES DEPARTMENT**