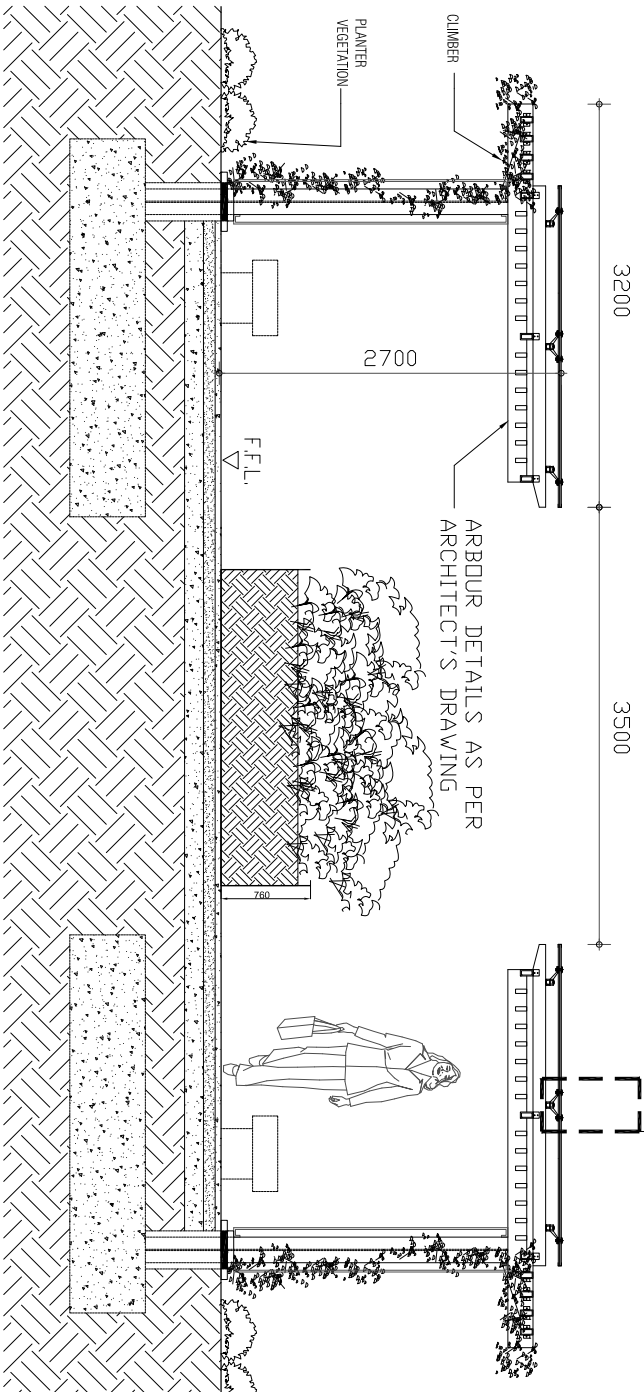
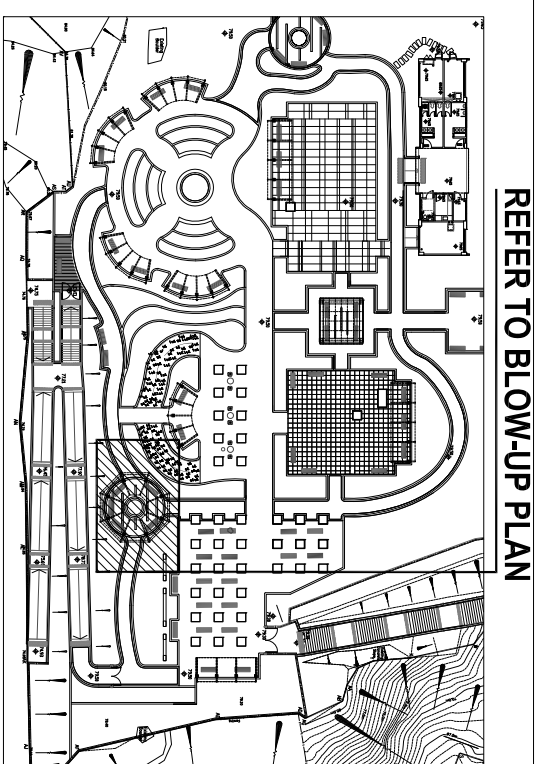


B CUREVED ARBOUR
PLAN
SCALE 1:40

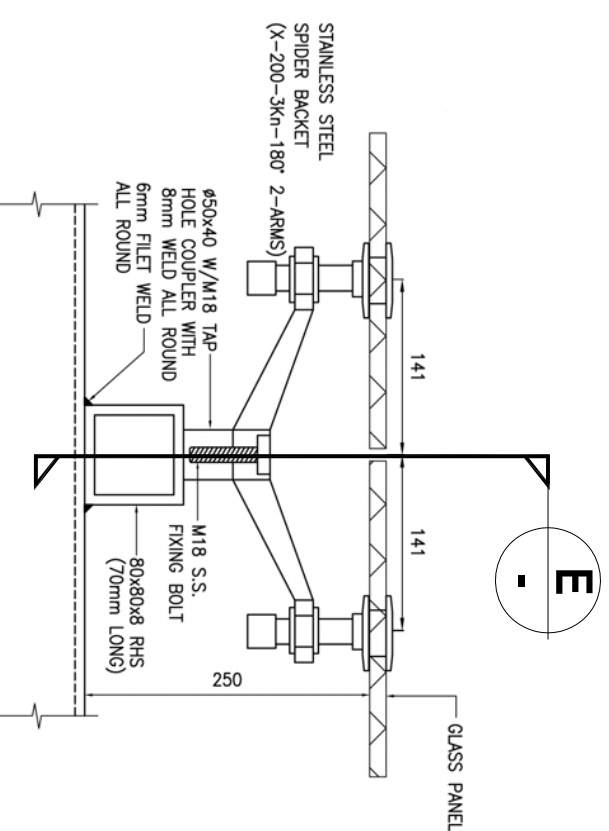


C CUREVED ARBOUR
SECTION
SCALE 1:60

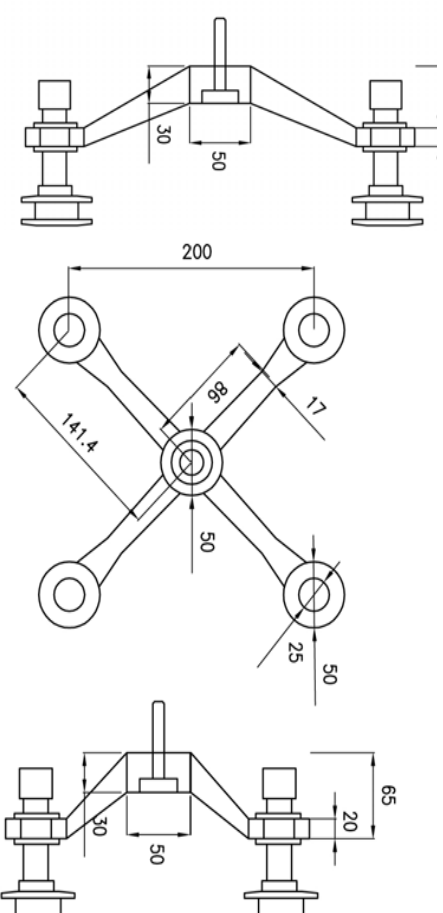
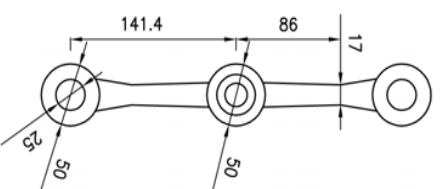


A REFERENCE PLAN
N.T.S.

REFER TO BLOW-UP PLAN



D CUREVED ARBOUR
DETAIL
N.T.S.



E CUREVED ARBOUR
DETAIL
N.T.S.

NOTE:
- CONTRACTOR TO LOCATE EXPANSION JOINT @ MAX. 15 PER LINEAR METRE & TO BE APPROVED BY ARCHITECT / STRUCTURAL ENGR.
- ALL SCREENING, WATERPROOFING, STRUCTURAL SLAB SHOULD REFER TO ARCHITECT'S STRUCTURAL ENGR. SPECS. / DRAWINGS.
- ALL DRAINAGE POINTS, CALCULATIONS & EXACT LOCATIONS OF SUB-SOIL DRAINS SHOULD REFER TO DRAINAGE CONSULTANT'S DRAWINGS.
- PLANTING SOIL & PLANTING MATERIALS INCLUDING PROTECTIVE DRAINAGE SHOULD BE PROVIDED BY THE CONTRACTOR.
- THE CONTRACTOR IS REQUIRED TO COORDINATE ESPECIALLY THE LEVELS AMONG SOIL SURFACES, DRAINAGE INSPECTION CHAMBERS, PLANTING SOIL SURFACES, PLANTING AREAS, PLANTING MATERIALS, AND STRUCTURAL DETAILS. MATERIAL SAMPLES AND STRUCTURAL DETAILS, MATERIAL SAMPLES AND STRUCTURAL DETAILS, MATERIAL SAMPLES AND STRUCTURAL DETAILS, MATERIAL SAMPLES AND STRUCTURAL DETAILS SHOULD BE IN SEGMENT AND TO FOLLOW THE CIRCUIT WEAR PROFILES.

No.	Date	Description	Initial
Revision			
Consultant Project No. 080101			

ARTHUR C. S. KWOK
ARCHITECTS & ASSOCIATES LIMITED
新定輝建築師有限公司
1401 ARBOLLE CENTRE ONE
KOWLOON



地 TEAM 73 HK Limited
urban design, urban planning, landscape architecture
新地建築師有限公司
11/F, 433 ABERCROMBIE ROAD, NORTH POINT, HONG KONG
Tel: (852) 2882 6888
Fax: (852) 2882 6889
E-mail: team73@team73.com

THOMAS ANDERSON & PARTNERS
(H.K.) LIMITED
CONSULTING ENGINEERS, BUILDING SERVICES

Name	Signed	Date
Designed	KH	02 DEC 2011
Drawn	RL	02 DEC 2011
Checked	SI	02 DEC 2011
Approved	SF	02 DEC 2011

Contract No.	
File No.	
Project No.	420 R0
Consultant Agreement No.	9AS022
Contract	LOCAL OPEN SPACE AT CHUNG YEE STREET, KOWLOON CITY DISTRICT
Drawing Title	ARBOR SECTION DETAIL
Drawing No.	AB/2263/EM138
Scale	AS SHOWN
Date	13 JUN 2011

ARCHITECTURAL SERVICES DEPARTMENT