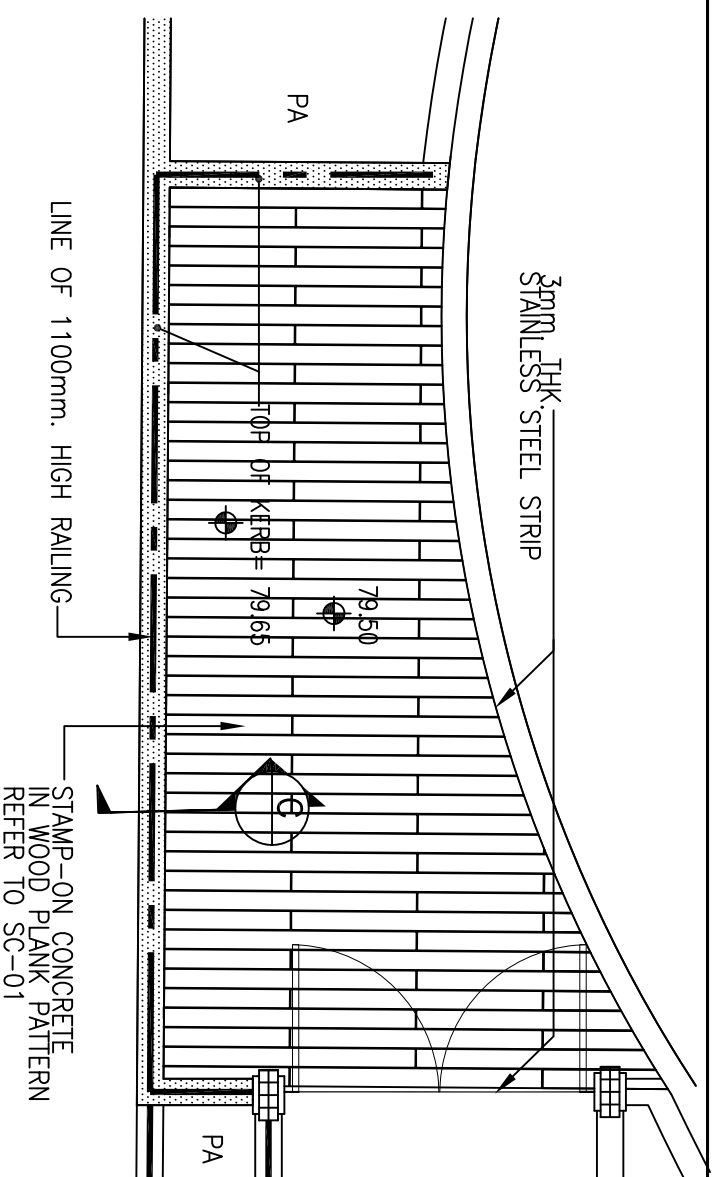
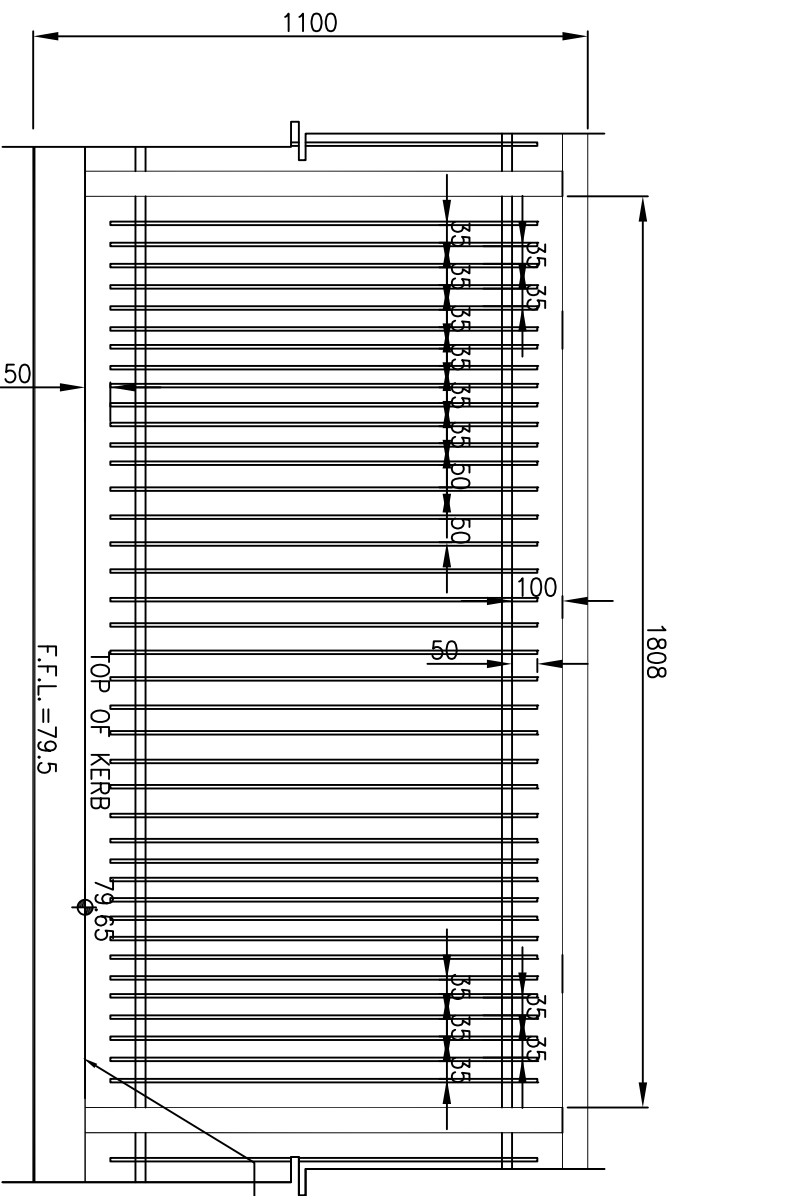


A REFERENCE PLAN
N.T.S.

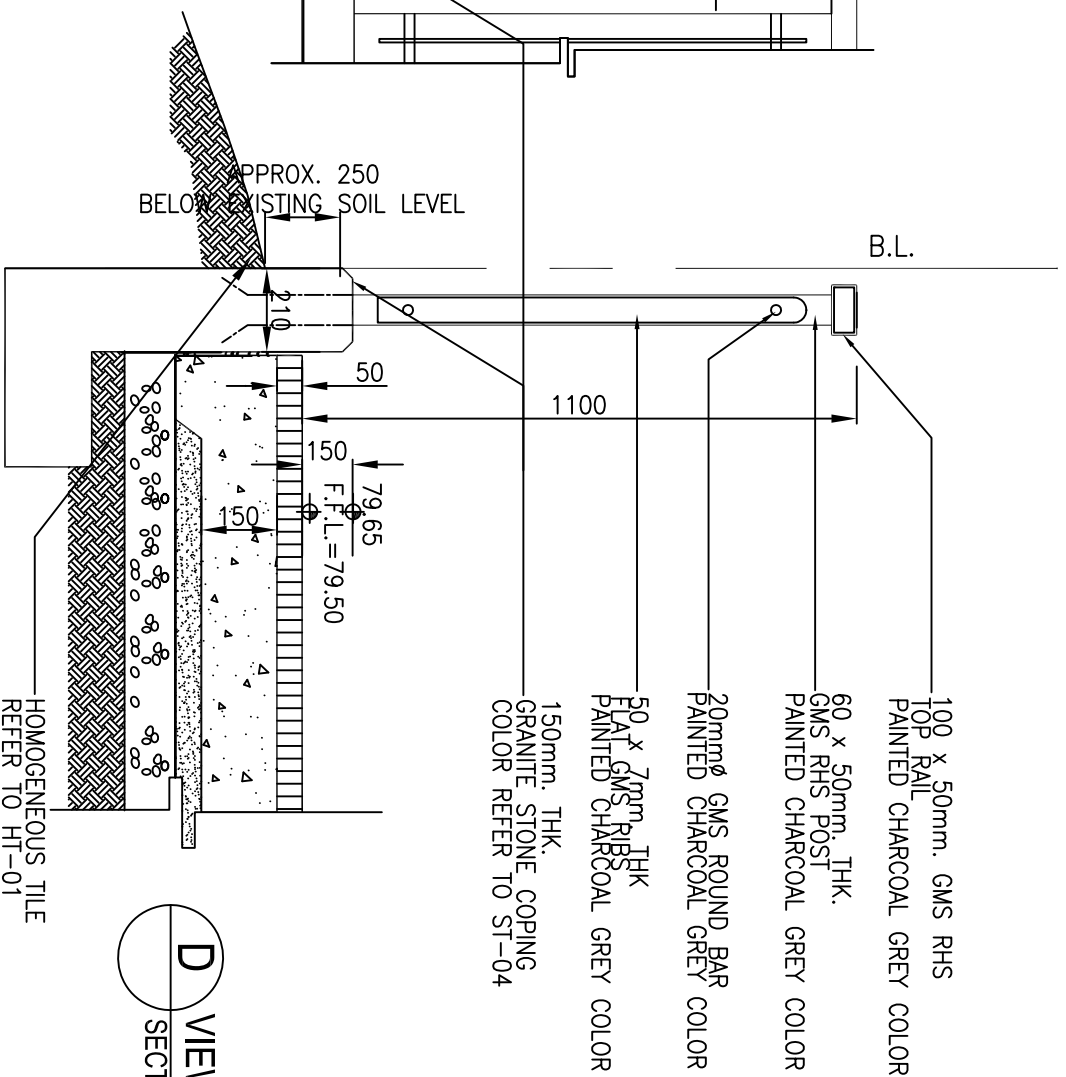
REFER TO BLOW-UP PLAN "B"



B VIEW DECK II DETAIL
BLOW-UP PLAN SCALE 1:60



C VIEW DECK II DETAIL
ELEVATION SCALE 1:15



D VIEW DECK II DETAIL
SECTION SCALE 1:15

NOTE:
 * CONTRACTOR TO LOCATE EXPANSION JOINT @ MAX. 15 PER LINEAR METRE & TO BE APPROVED BY ARCHITECT / STRUCTURAL ENGR.
 * ALL SCREENING, WATERPROOFING, STRUCTURAL SLAB SHOULD REFER TO ARCHITECT'S STRUCTURAL ENGR. SPECS. / DRAWINGS.
 * ALL DRAINAGE POINTS, CALCULATIONS & EXACT LOCATIONS OF SURFACE DRAINS SHOULD REFER TO DRAINAGE CONSULTANT'S DRAWINGS.
 * PLANTING SOIL & PLANTING MATERIALS INCLUDING PROTECTIVE PAVEMENT SHOULD BE PROVIDED BY THE CONTRACTOR.
 * THE CONTRACTOR IS REQUIRED TO COORDINATE ESPECIALLY THE LEVELS AMONG SOIL SURFACES, DRAINAGE INSPECTION CHAMBERS, PLANTING PLANTING AREA, PLANTING AREA.
 * CONTRACTOR TO PROVIDE SHOP DRAWINGS, FINISH DETAILS, MATERIAL SAMPLES AND STRUCTURAL CUTTING OF STONE FOR FINISH KERB COPING SHOULD BE IN SEGMENT AND TO FOLLOW THE CURVILINEAR PROFILES.

No.	Date	Description	Initial

Consultant Project No. 080101

ARTHUR C. S. KWOK
 ARCHITECTS & ASSOCIATES LIMITED
 1401 ADELPHI CENTRE ONE KOWLOON

TEAM 73 HK Limited
 urban design, urban planning, landscape architecture
 城市設計, 城市規劃, 景觀建築
 14/F, 433 CANTON ROAD, HONG KONG
 TEL: (852) 2500 8888
 FAX: (852) 2500 8889
 www.team73.com.hk

Name	Signed	Date
Designed	KH	08 DEC 2011
Drawn	RL	08 DEC 2011
Checked	SI	08 DEC 2011
Approved	SF	08 DEC 2011

Contract No.

File No.

Project No. 420 R0

Consultant Agreement No. 9AS022

Contract LOCAL OPEN SPACE AT CHUNG YEE STREET, KOWLOON CITY DISTRICT

Drawing Title VIEW DECK II DETAIL

Drawing No.	Scale
AB/2263/EM14	AS SHOWN

13 JUN 2012 (Date)

ARCHITECTURAL SERVICES DEPARTMENT