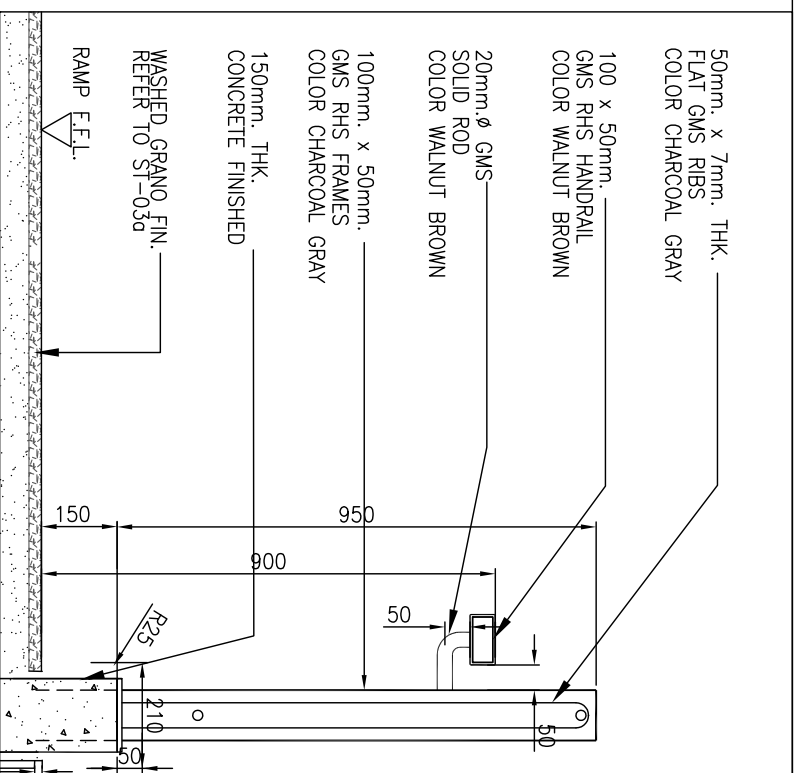
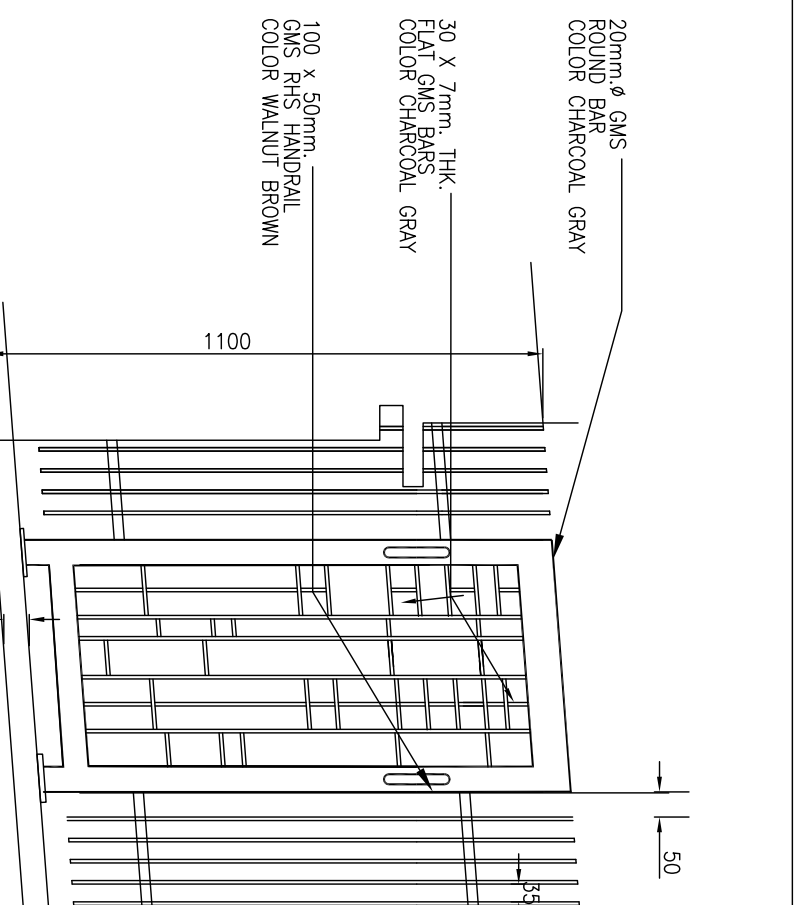


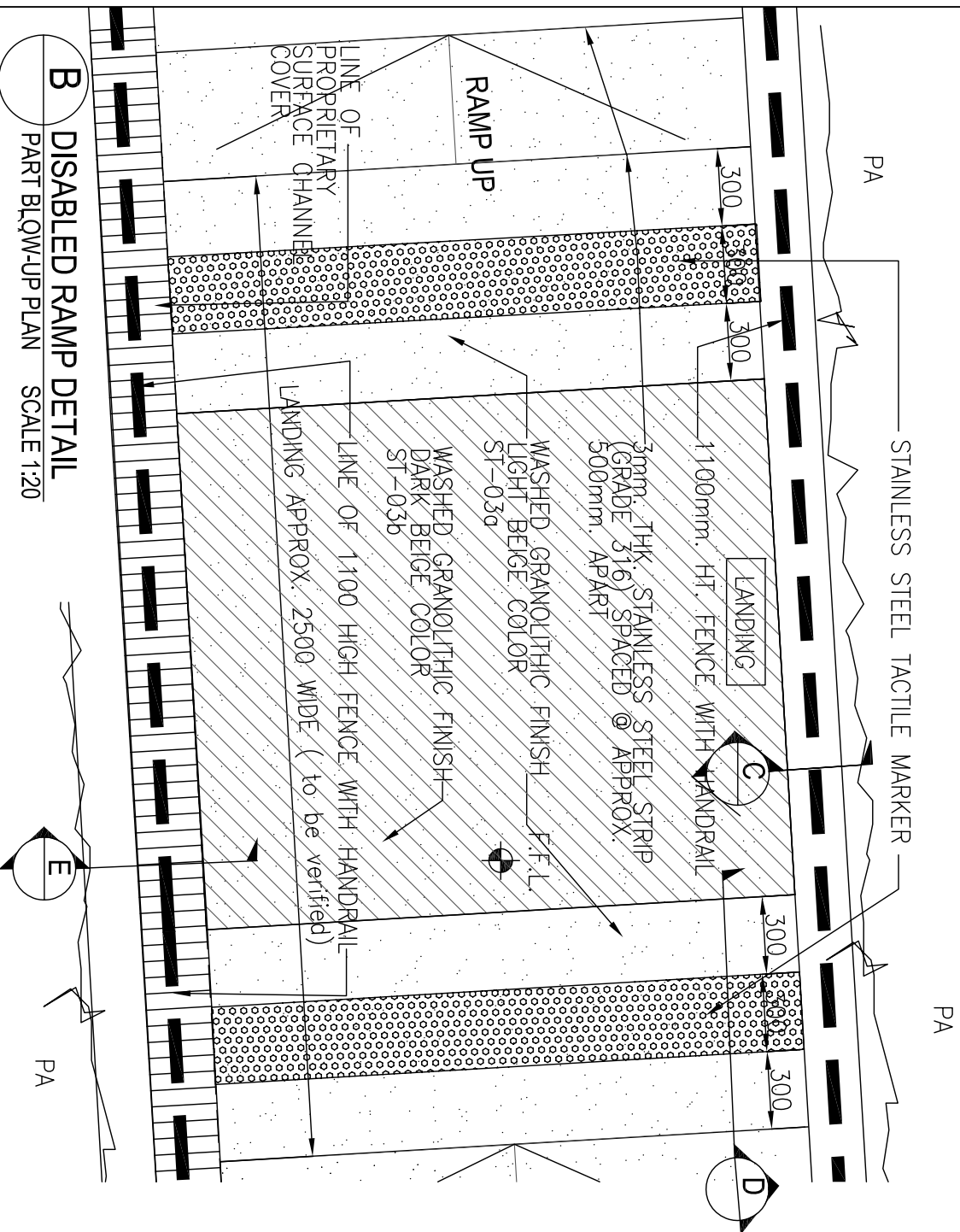
A KEY PLAN
N.T.S.



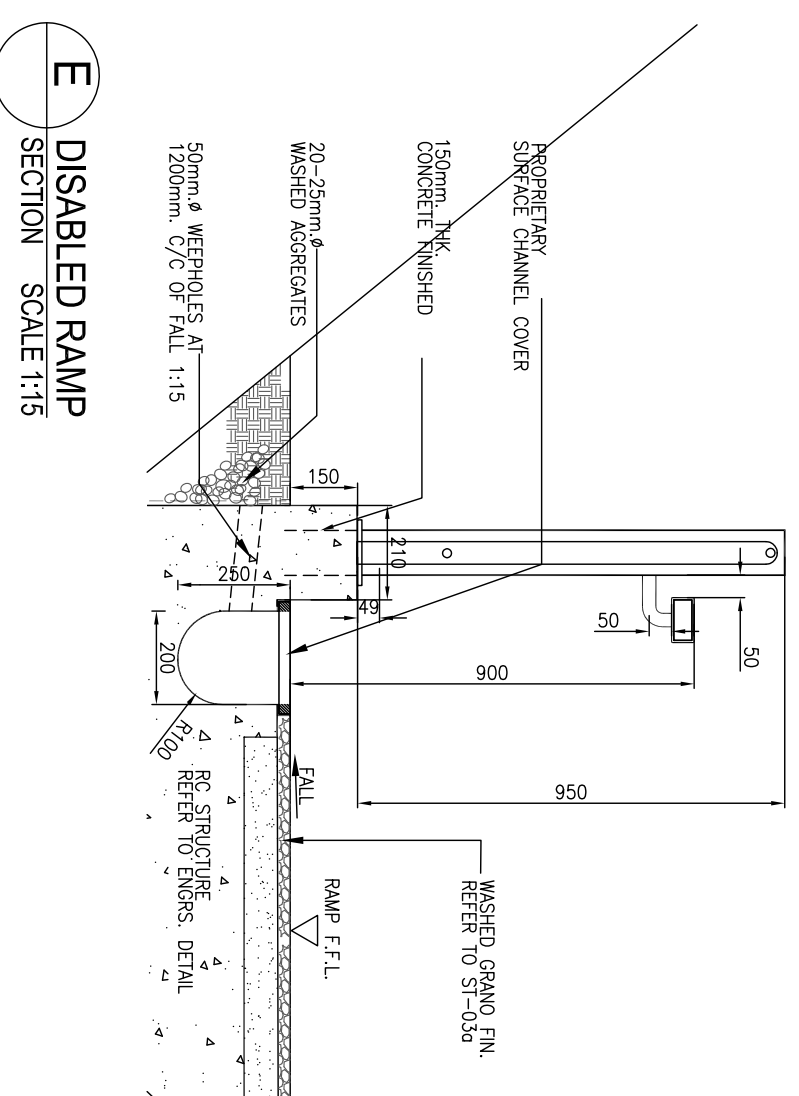
C DISABLED RAMP SECTION SCALE 1:15



D DISABLED RAMP ELEVATION SCALE 1:15



B DISABLED RAMP DETAIL
PART BLOW-UP PLAN SCALE 1:20



E DISABLED RAMP SECTION SCALE 1:15

NOTE:
- CONTRACTOR TO LOCATE EXPANSION JOINT @ MAX. 1500mm LINEAR LENGTH & TO BE APPROVED BY ARCHITECT / STRUCTURAL ENGR.
- ALL SCREENING, WATERPROOFING, STRUCTURAL SLAB SHOULD REFER TO ARCHITECT'S STRUCTURAL ENGR. SPECS. / DRAWINGS.
- ALL MASSAGE POINTS CALCULATIONS & EXACT LOCATIONS OF SLIP/SOIL DRAINS SHOULD REFER TO DRAINAGE CONSULTANTS DRAWINGS.
- PLANTING SOIL & PLANTING MATERIALS INCLUDING PROPRIETARY RANGEABLE SYSTEM SHALL BE SUPPLIED & INSTALLED BY THE CONTRACTOR.
- THE CONTRACTOR IS REQUIRED TO COORDINATE ESPECIALLY THE LEVELS AMONG SOIL SURFACES, PLANTING AREA, DRAINAGE SERVICES WITHIN THE PLANTING AREA.
- CONTRACTOR TO PROVIDE SHOP DRAWINGS, FINISH DETAILS, MATERIAL SAMPLES AND STRUCTURAL CALCULATIONS FOR ALL STEEL KEYS BEING COMING OUTSIDE OF CONCRETE FOR ALL KEYS BEING COMING SHOULD BE IN SEQUENCE AND TO FOLLOW THE DIMENSIONER PROFILES.

No.	Date	Description	Initial

Consultant Project No. 080101

ARTHUR C. S. KWOK ARCHITECTS & ASSOCIATES LIMITED
新及特建築師有限公司
1401 ABOULE CENTRE ONE KOWLOON

TEAM 73 HK Limited
urban design urban planning landscape architecture
新及特建築師有限公司
12/F, 333 HONG KONG ROAD, HONG KONG
TEL: (852) 2500 2500 FAX: (852) 2500 2500
www.team73.com.hk

THOMAS ANDERSON & PARTNERS (H.K.) LIMITED
CONSULTING ENGINEERS, BUILDING SERVICES

Name	Signed	Date
Designed	KH	02 DEC 2011
Drawn	KH	16 DEC 2011
Checked	SI	16 DEC 2011
Approved	SF	16 DEC 2011

Contract No.	
File No.	
Project No.	420 RO
Consultant Agreement No.	9AS022
Contract Local	LOCAL OPEN SPACE AT CHUNG YEE STREET, KOWLOON CITY DISTRICT
Drawing Title	DISABLED RAMP DETAIL
Drawing No.	AB/2263/EM/01
Scale	AS SHOWN
Date	13 JUN 2012

