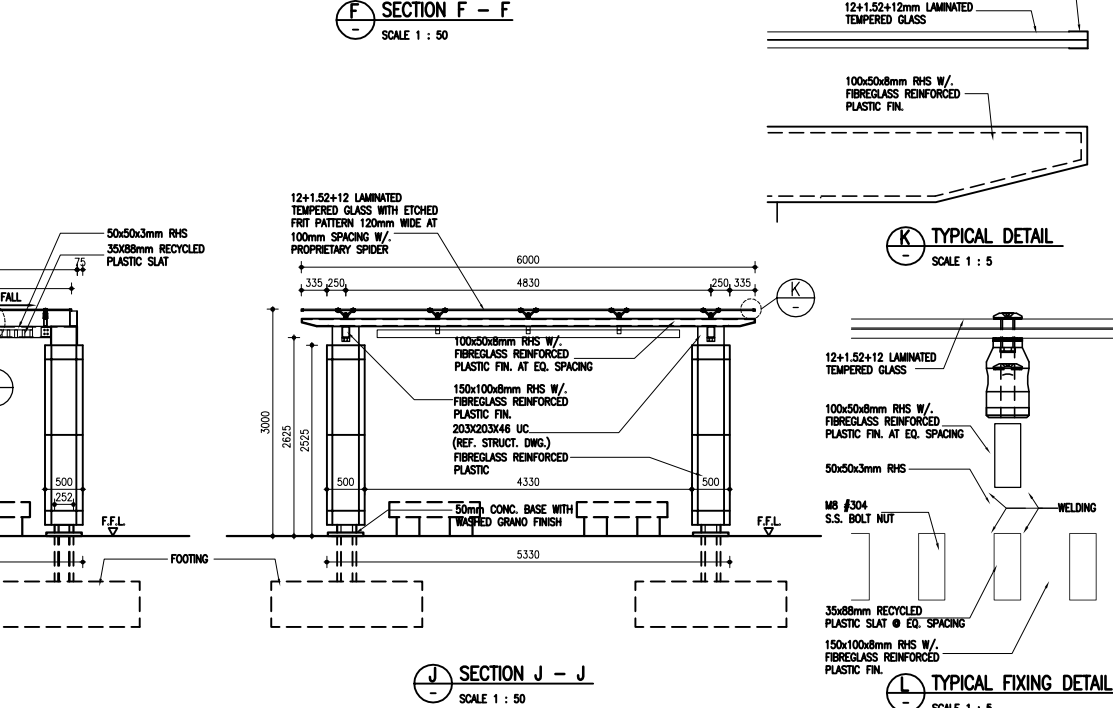
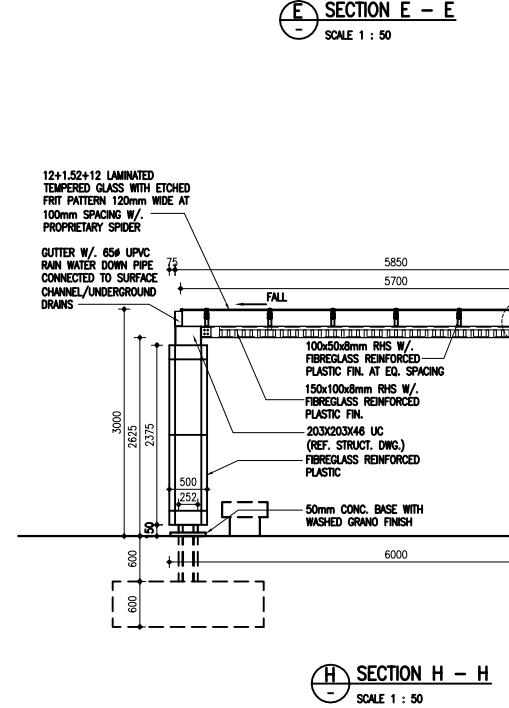
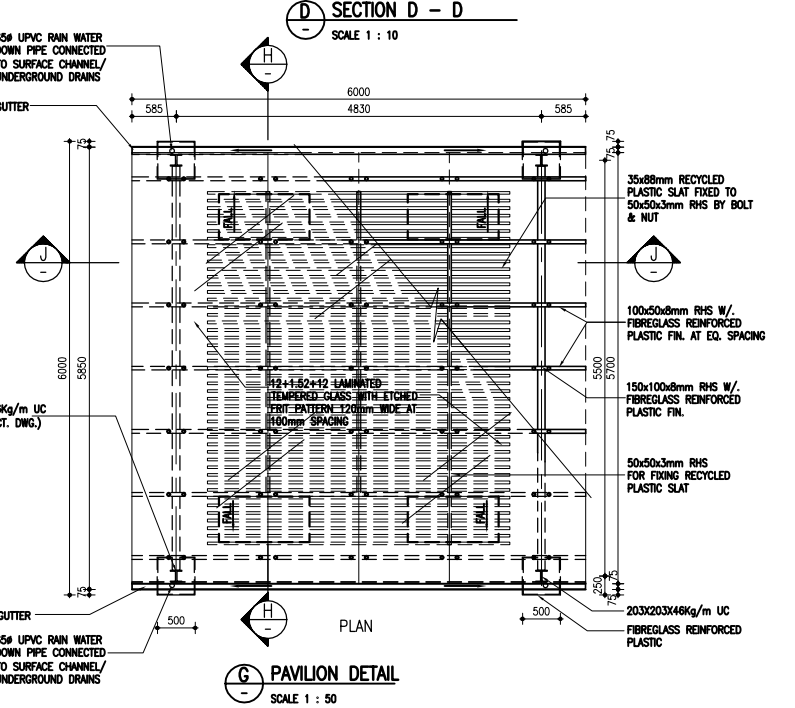
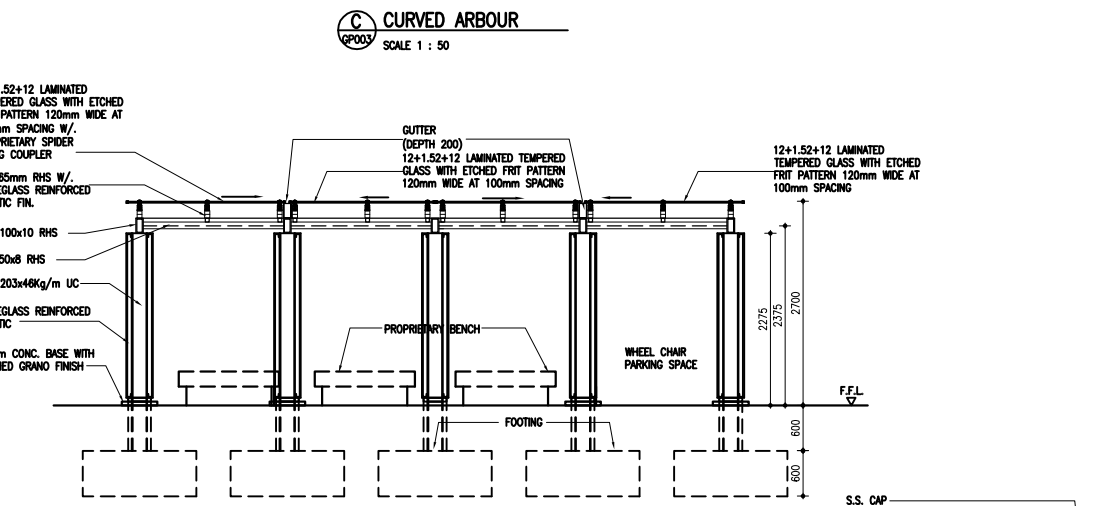
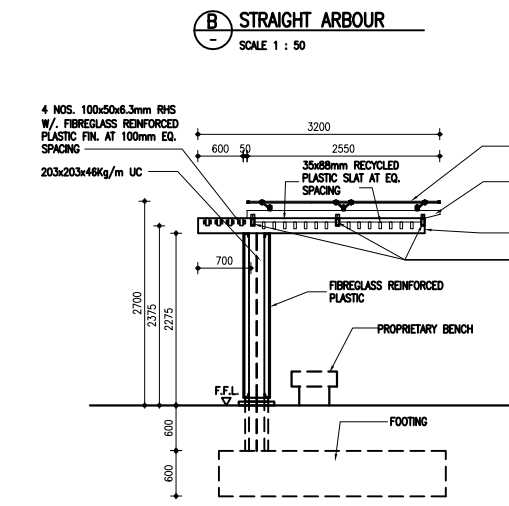
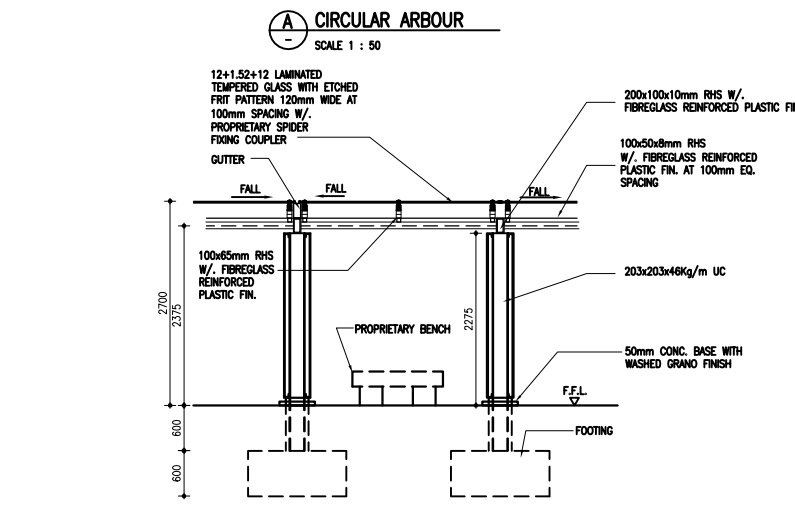
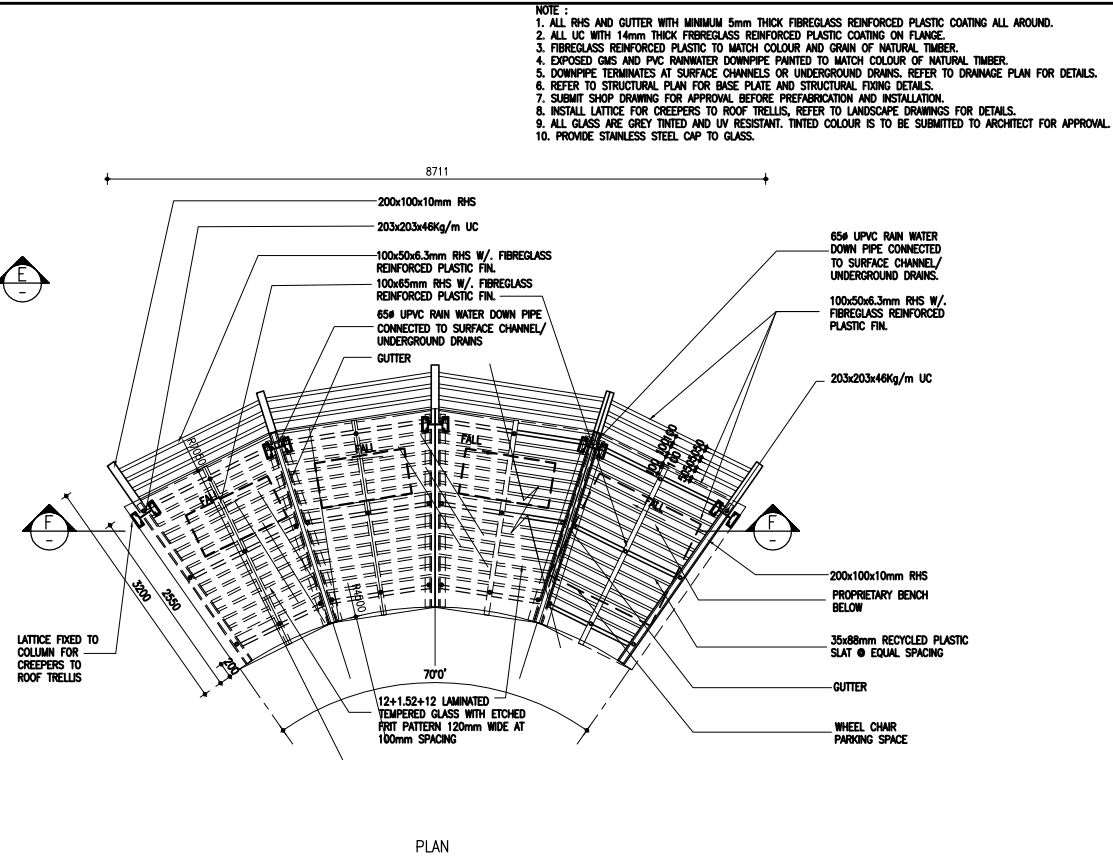
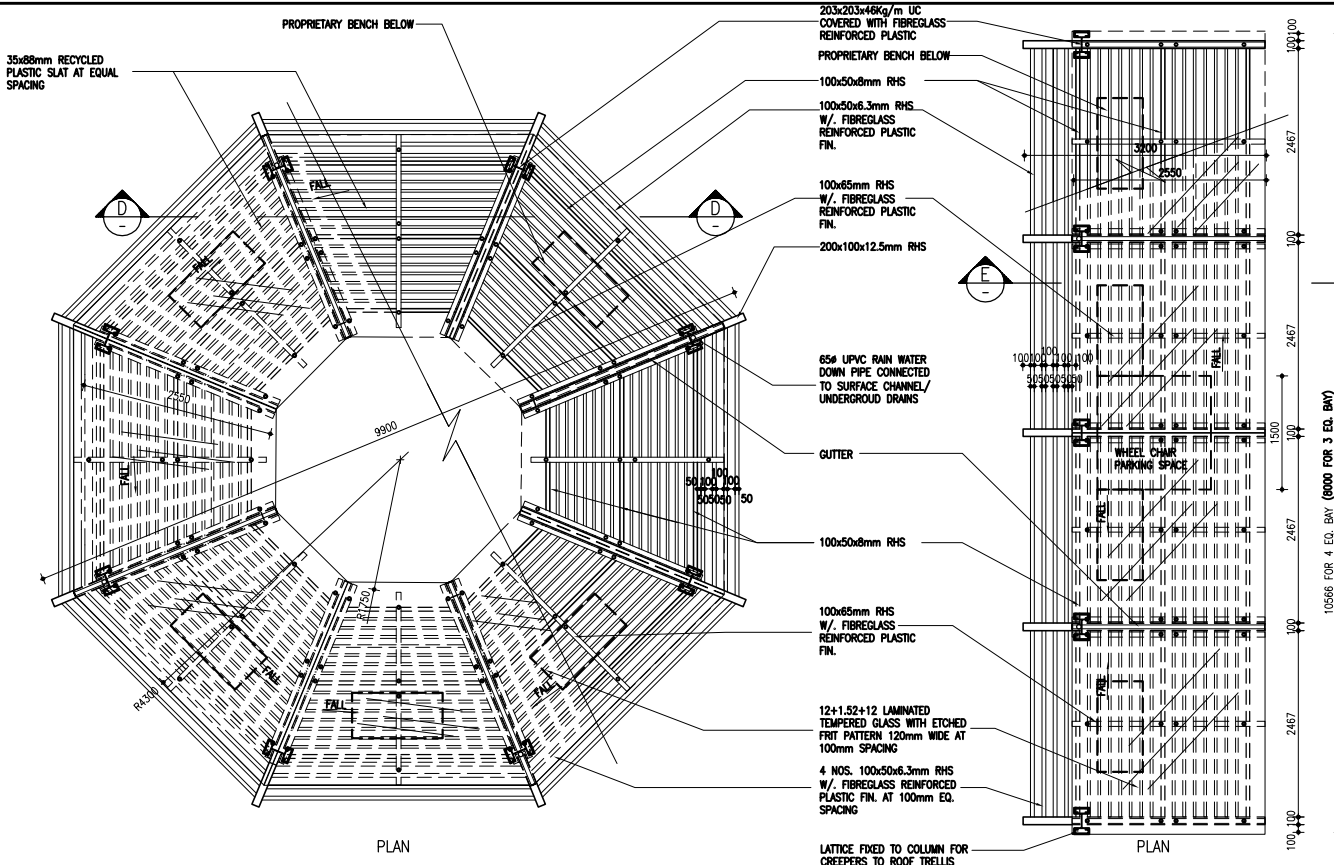


- NOTE :
1. ALL RHS AND GUTTER WITH MINIMUM 5mm THICK FIBREGLASS REINFORCED PLASTIC COATING ALL AROUND.
 2. ALL UC WITH 14mm THICK FIBREGLASS REINFORCED PLASTIC COATING ON FLANGE.
 3. FIBREGLASS REINFORCED PLASTIC TO MATCH COLOUR AND GRAIN OF NATURAL TIMBER.
 4. EXPOSED GNS AND PVC RAINWATER DOWNPIPE PAINTED TO MATCH COLOUR OF NATURAL TIMBER.
 5. DOWNPIPE TERMINATES AT SURFACE CHANNELS OR UNDERGROUND DRAINS. REFER TO DRAINAGE PLAN FOR DETAILS.
 6. REFER TO STRUCTURAL PLAN FOR BASE PLATE AND STRUCTURAL FIXING DETAILS.
 7. SUBMIT SHOP DRAWING FOR APPROVAL BEFORE PREFABRICATION AND INSTALLATION.
 8. INSTALL LATTICE FOR CREEPERS TO ROOF TRELLIS, REFER TO LANDSCAPE DRAWINGS FOR DETAILS.
 9. ALL GLASS ARE GREY TINTED AND UV RESISTANT. TINTED COLOUR IS TO BE SUBMITTED TO ARCHITECT FOR APPROVAL.
 10. PROVIDE STAINLESS STEEL CAP TO GLASS.

Notes :

ALL STRUCTURAL MEMBER & FOOTING DETAILS TO BE REFERRED TO STRUCTURAL DRAWING



No.	Date	Description	Initial
Revision			
Consultant Project No.			080101

ARTHUR C. S. KWOK
ARCHITECTS & ASSOCIATES LIMITED
郭志輝建築師有限公司
1401 ARGYLE CENTRE ONE KOWLOON

TEAM 73 HK Limited
urban design urban planning landscape architecture
1/F, 433 HONG KONG STREET & HONGKONG STREET HONG KONG
TEL: (852) 2881 1128
FAX: (852) 2881 4388
E-MAIL: team73@team73.com.hk

CANWEST CONSULTANTS LIMITED
CIVIL & STRUCTURAL ENGINEERS
建築工程師有限公司
18/F, 433 HONG KONG STREET, NORTH POINT, HONG KONG
TEL: (852) 2881 1128
FAX: (852) 2881 4388
E-MAIL: canwest@canwest.com.hk

THOMAS ANDERSON & PARTNERS
(H.K.) LIMITED
CONSULTING ENGINEERS, BUILDING SERVICES
湯瑪士(香港)有限公司

	Name	Signed	Date
Designed	PT/EL	<i>[Signature]</i>	DEC 2011
Drawn	WS	<i>[Signature]</i>	DEC 2011
Checked	TH	<i>[Signature]</i>	DEC 2011
Approved	AL	<i>[Signature]</i>	DEC 2011

Contract No. SS T320

File No.

Project No. 420 R0

Consultant Agreement No. 9AS022

Contract LOCAL OPEN SPACE AT CHUNG YEE STREET, KOWLOON CITY DISTRICT

Drawing Title TYPICAL ARBOUR & PAVILION PLAN AND SECTION

Drawing No. AB/2263/DL008

Scale A1 = 1 : 50 A3 = 1 : 100

ARCHITECTURAL SERVICES DEPARTMENT