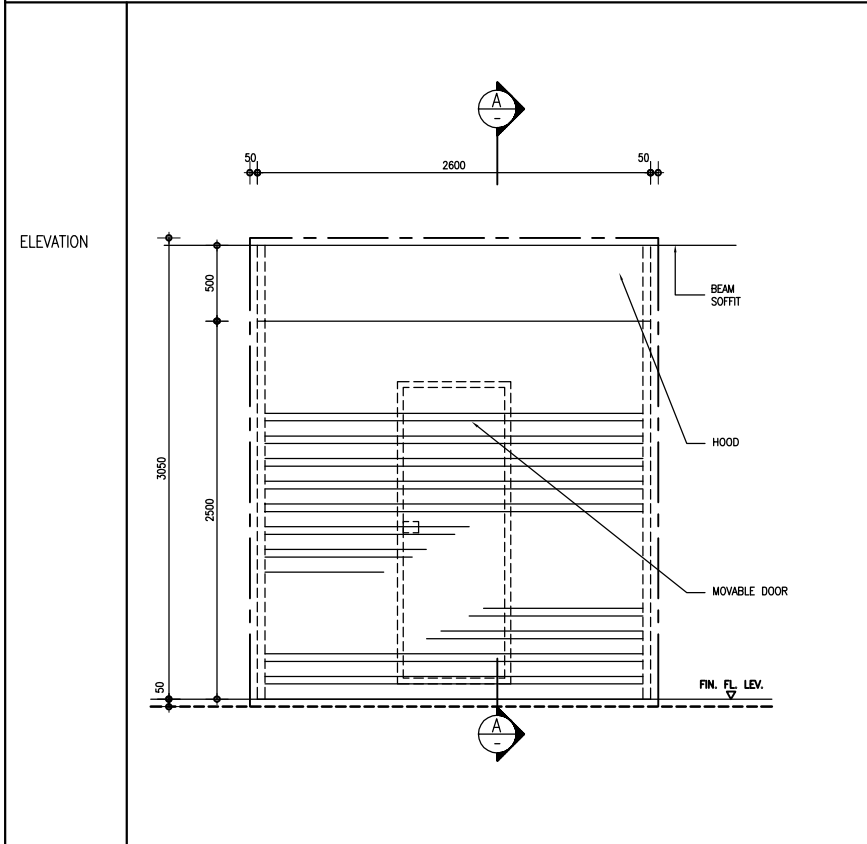
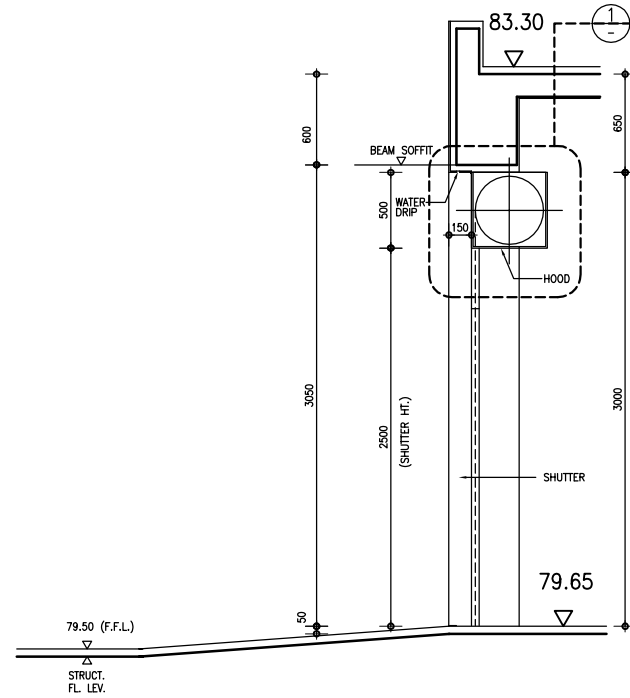


SCHEDULE OF ROLLER SHUTTER

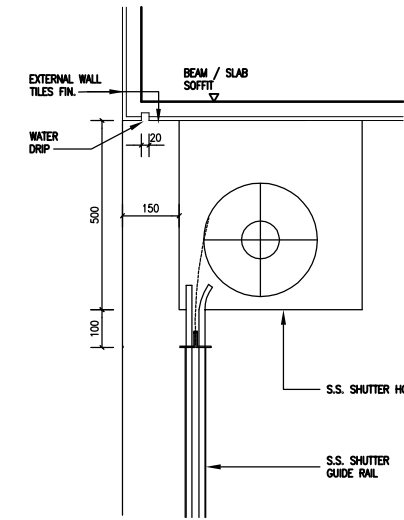


SHUTTER MARK	(S)
LOCATION	STORE ROOM
MATERIAL	S.S. ROLLER SHUTTER, SATIN FINISH
NOS.	
REMARKS	INCLUDE MOTOR AND CONTROL BOX

NOTE : CONTRACTOR HAS TO SUBMIT SHOP DRAWING AND STRUCTURAL CALCULATIONS FOR APPROVAL



SECTION A-A



DETAIL 1
SCALE 1 : 10

Notes :

No.	Date	Description	Initial
-----	------	-------------	---------

Revision

Consultant Project No.
080101

ARTHUR C. S. KWOK
ARCHITECTS & ASSOCIATES LIMITED
郭克興建築師有限公司
1401 ARGYLE CENTRE ONE KOWLOON

TEAM 73 HK Limited
urban design urban planning landscape architecture
1/F, China Hong Kong Tower & Harbour Road, Hong Kong
Tel: 2885-8713 Fax: 2885-4828 Email: out@team73.com

CANWEST CONSULTANTS LIMITED
CIVIL & STRUCTURAL ENGINEERS
建築工程師有限公司
18/F, 433 HONG KONG ROAD, NORTH POINT, HONG KONG
TEL: (852) 2885 1128
FAX: (852) 2881 4340
E-MAIL: canwest@canwest.com.hk

THOMAS ANDERSON & PARTNERS
(H.K.) LIMITED
CONSULTING ENGINEERS, BUILDING SERVICES
湯瑪士(香港)有限公司

	Name	Signed	Date
Designed	PT / EL	<i>PT/EL</i>	DEC 2011
Drawn	WS	<i>WS</i>	DEC 2011
Checked	TH	<i>TH</i>	DEC 2011
Approved	AL	<i>AL</i>	DEC 2011

Contract No. SS T320

File No.

Project No. 420 RO

Consultant Agreement No. 9AS022

Contract
LOCAL OPEN SPACE AT
CHUNG YEE STREET,
KOWLOON CITY DISTRICT

Drawing Title
ROLLER SHUTTER SCHEDULE &
TYPICAL DETAILS

Drawing No. AB/2263/CA005	Scale A1=1:25 & 1:10 A3=1:50 & 1:20
------------------------------	---

(Date)

ARCHITECTURAL SERVICES DEPARTMENT