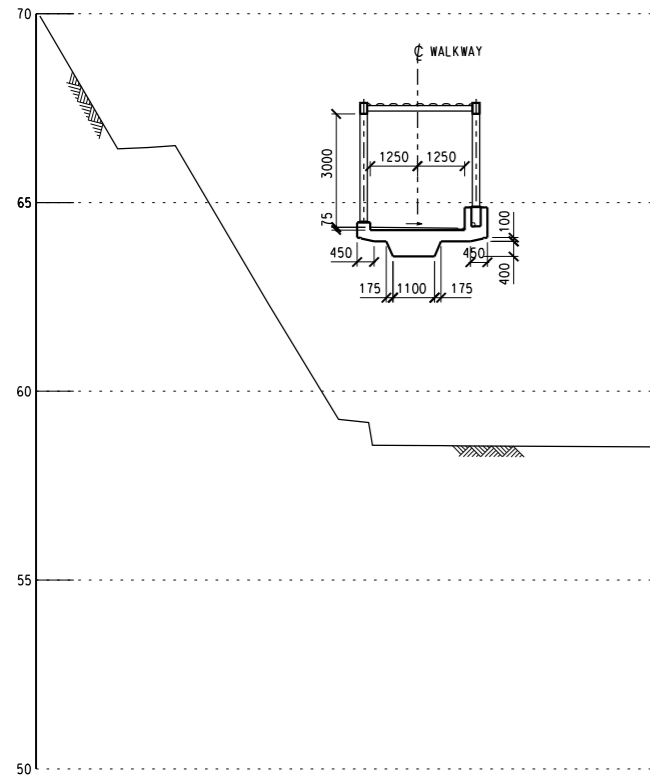
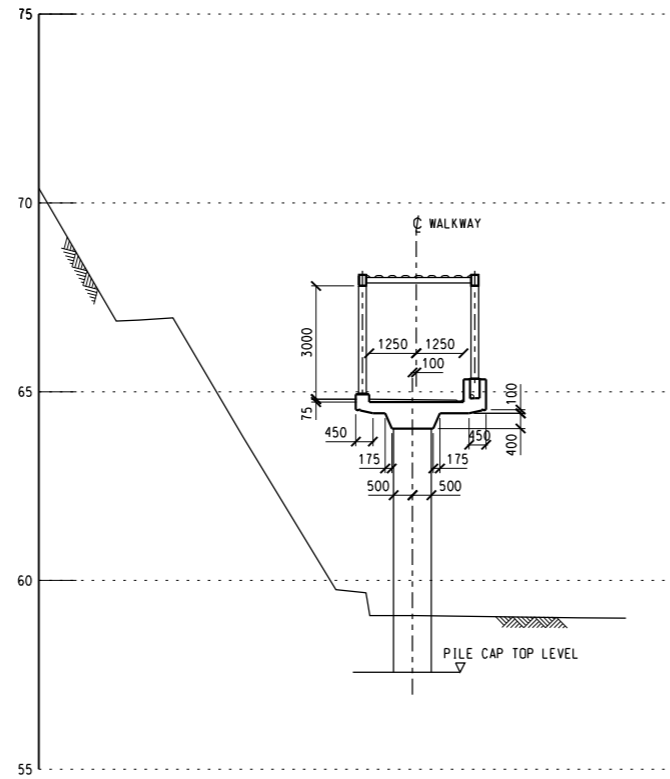


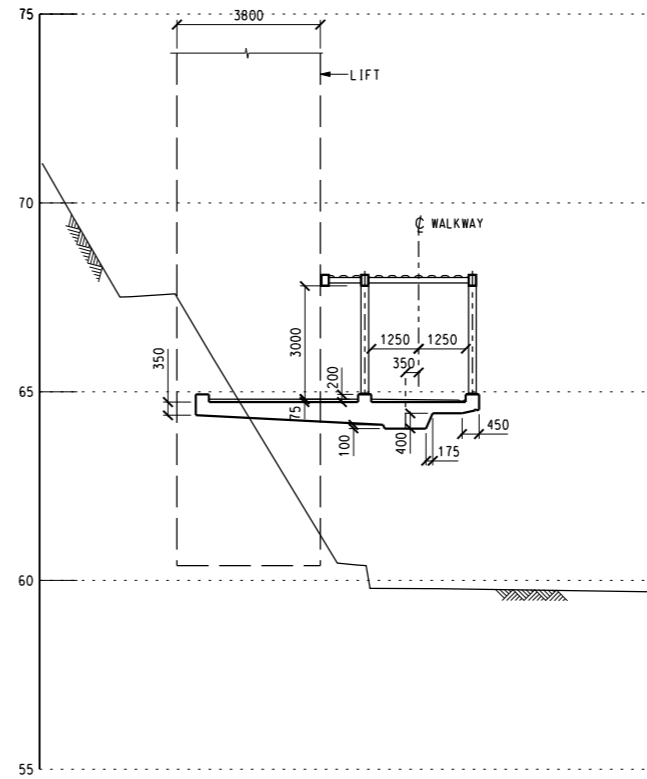
**NOTES:**  
1. FOR LAYOUT PLAN REFER TO DRG. NO. 1001/W/315/OAP/C10/003.



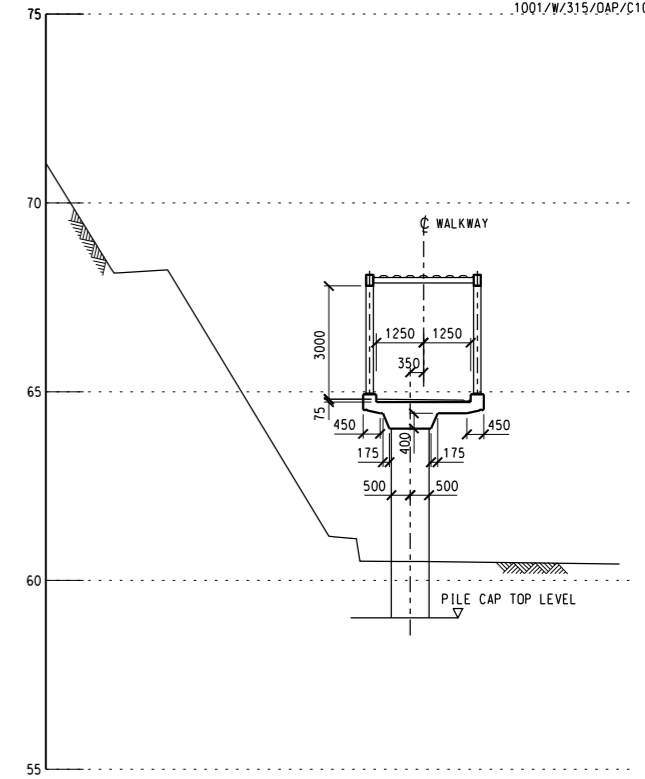
SECTION **A**  
SCALE 1:100  
C10/003



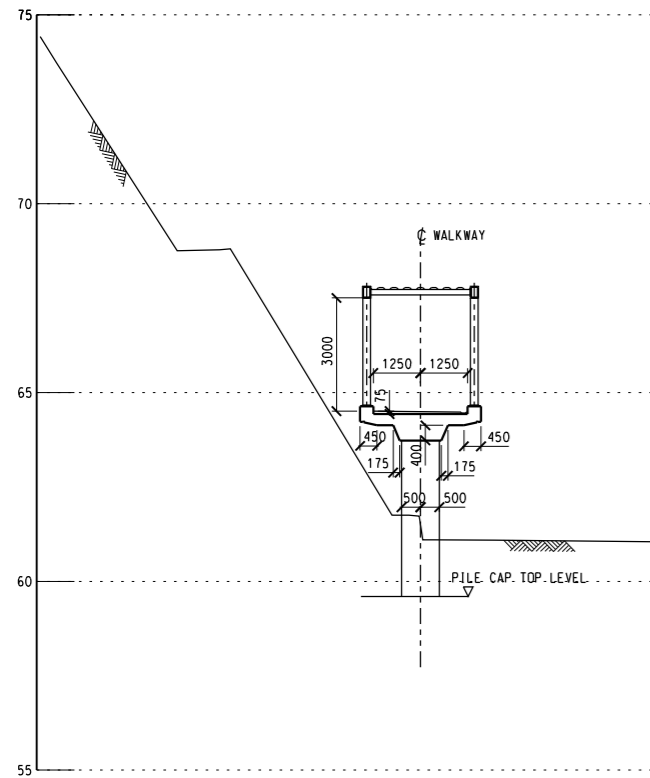
SECTION **B**  
SCALE 1:100  
C10/003



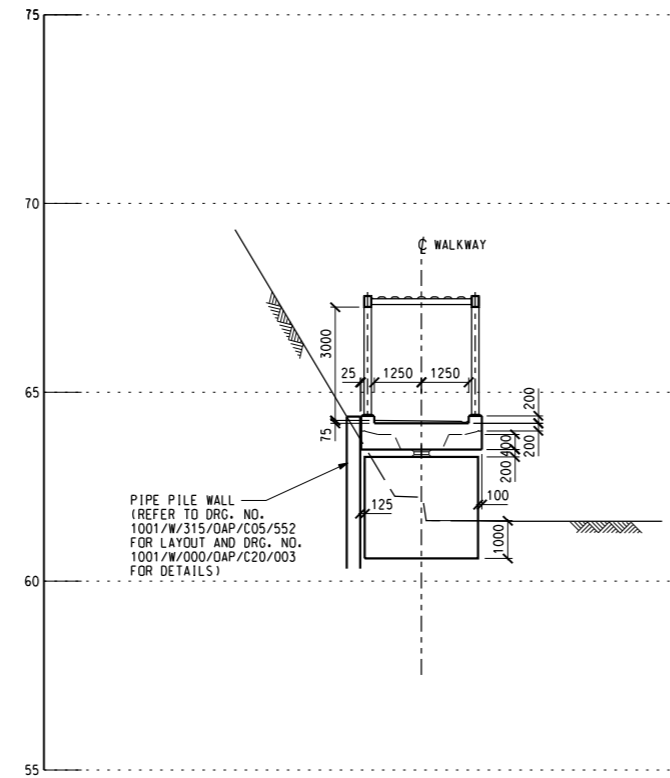
SECTION **C**  
SCALE 1:100  
C10/003



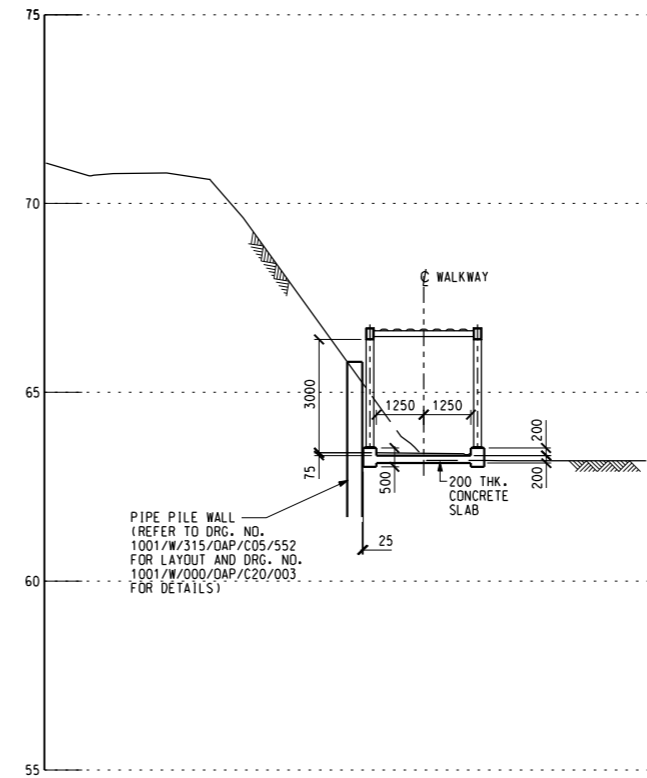
SECTION **D**  
SCALE 1:100  
C10/003



SECTION **E**  
SCALE 1:100  
C10/003

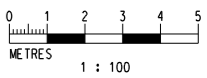


SECTION **F**  
SCALE 1:100  
C10/003



SECTION **G**  
SCALE 1:100  
C10/003

**For Information**



PLOT DRW: JA:200816-KTE-CAD-ADMIN\PLOT\_DRIVER\PDF-BW-300dpi-080924.dwt  
 MODEL NAME: Model  
 FILE NAME: \X:\kmt\659\dwt\200816-KTE\RECORD\Univerable Cad Drawing\Working Drawing\RevA\1010\_001\C&S Drawings\EPW\1010\_2\UDON03 HMT Estate and O1 Man Estate Connection - At-graded & Elevated Walkway\001.W\_35\_OAP\_C10\_014.dgn

REV	DESCRIPTION	BY	DATE	APPROVED	REV	DESCRIPTION	BY	DATE	APPROVED
A	WORKING DRAWING								

DRAWN	FM
DESIGNED	KC
CHECKED	NP
APPROVED	TS
DATE	07/AUG/2010
DO NOT SCALE DRAWINGS. ALL DIMENSIONS SHALL BE VERIFIED ON SITE.	
© MTR CORPORATION LIMITED 2008. COPYRIGHT IN RESPECT OF THIS DRAWING / DOCUMENT IS OWNED BY THE MTR CORPORATION LIMITED OF HONG KONG. NO REPRODUCTION OF THE DRAWING / DOCUMENT OR ANY PART BY WHATEVER MEANS IS PERMITTED WITHOUT THE PRIOR WRITTEN CONSENT OF THE MTR CORPORATION LIMITED.	

	<b>ORIGINATOR</b>
<b>ARUP</b>	Supported by: <ul style="list-style-type: none"> <li>Integrated Design Associates Ltd.,</li> <li>Davis Langdon &amp; Seah HK Ltd.,</li> <li>Kenneth Ng &amp; Associates Ltd.,</li> <li>IntelIBuild</li> </ul>
CADD REF.	1001_W_315_OAP_C10_014.dgn

TITLE		
CONTRACT 1001		
YMT TO WHAMPOA TUNNELS AND HOM STATION		
HO MAN TIN ESTATE AND O1-MAN ESTATE CONNECTION		
GENERAL ARRANGEMENT OF CW3		
CROSS SECTIONS (SHEET 1 OF 2)		
SCALE	DRAWING NO.	REV.
1 : 100 (A1)	1001/W/315/OAP/C10/014	A